

BOARD OF SUPERVISORS

MADISON COUNTY, MISSISSIPPI

Department of Engineering
Tim Bryan, P.E., County Engineer

3137 South Liberty Street, Canton, MS 39046
Office (601) 790-2525 FAX (601) 859-3430

MEMORANDUM

June 15, 2023

To: Sheila Jones, Supervisor, District I
Trey Baxter, Supervisor, District II
Gerald Steen, Supervisor, District III
Karl Banks, Supervisor, District IV
Paul Griffin, Supervisor, District V

From: Tim Bryan, P.E., PTOE
County Engineer

Re: Comcast Cable Utility Permit
County Road Name, Mt. Pilgrim Road

The Engineering Department recommends approval of the permit application for Comcast Cable is attaching 24 CT and 48 CT fiber to existing poles, boring and installing 2" HDPE to pull 48 CT and 24 CT fiber within the right-of-way owned by the County including the listed roads below.

- Mt. Pilgrim Road

SHEILA JONES
District One

TREY BAXTER
District Two

GERALD STEEN
District Three

KARL BANKS
District Four

PAUL GRIFFIN
District Five

Revised: 2/14/2019



PERMIT APPLICATION FOR THE CONSTRUCTION OR ADJUSTMENT OF A UTILITY WITHIN COUNTY ROAD RIGHT-OF-WAY

Utility Information: Utility Name: COMCAST CABLE

Address: 3425 Malone Drive City/State/Zip: Chamblee/ GA/ 30-341

Contact Person: Linda Taibl Contact's Phone: _____

Project Information: County Road Name: MT PILGRIM RD

(If located within more than one road right-of-way, use Appendix 1 for additional descriptions)

Beginning Location: 32.764139, -89.853474 Ending Location: 32.725044, -89.884616

Length of Project: 18934FT Section: 34 Township: 3 Range: 69

Description of Work: COMCAST IS ATTACHING 24CT AND 48CT FIBER TO EXISTING POLES, BORING AND INSTALLING 2" HDPE TO PULL 48CT AND 24CT FIBER WITHIN THE RIGHT-OF-WAY OWNED BY THE COUNTY.

TOTAL INSTALLATION LENGTH IN ROW: 18934FT

Check Box if Appendix 1 is to be included as a part of this Application

Whereas the above stated Utility makes application to the **Madison County Board of Supervisors** for a Construction Permit. Attached hereto are drawings and plans for the construction of the above facilities located within Madison County owned public rights-of-way. Once stamped by the Madison County Engineering Department, these plans shall not be changed or altered without written approval of the County Engineer, or his representative. A copy of the approved permit and plans shall be on-site at all times during construction.

The Applicant Utility shall comply with all policies, procedures and construction practices as outlined in *A Policy for The Accommodation of Utility Facilities within the Right-of-Way of all Public County Roads* (hereinafter referred to as the "Policy"), as adopted on November 1, 2005, by the **Madison County Board of Supervisors**, and which is hereby made a part of this Application Agreement.

If facilities are to be located within the Rights-of-Way of the County-Federal or State Aid System, Applicant Utility also agrees to comply with applicable provisions of *S.O.P. No. SA II-2-8, Accommodation of Utilities on Rights-of-Way*, issued by the State Aid Engineer and dated July 1, 2005.

The Applicant Utility understands and agrees that, except as herein granted, no right, title, claim, or easement to said road right-of-way is granted by the issuance of this permit. If this Utility is listed in the general provisions of the Policy, it will be adjusted to comply with same without cost to the County, unless the variance from the Policy has been approved by the granting of the Permit pursuant to this Application.

The Applicant Utility further understands that the Utility's engineering, plant, or other personnel will be responsible for the staking and construction supervision of the work set out above and as shown on the attached plans. If work impacts traffic in any way, the appropriate traffic control shall be installed per the *Manual of Uniform Traffic Control Devices*, Latest Edition.

The Applicant Utility understands that the County Engineer, or his representative, may issue a Stop Work Order at any time if it is deemed that site conditions are not suitable for construction or if any of the requirements of this permit are not being met.

Many County Roads have variable Rights-of-Way and/or no Right-of-Way at all and are maintained under a Prescriptive Easement. It is the sole responsibility of the Applicant Utility to verify the existence and limits of public rights-of-way. If none exists, it is the

responsibility of the Applicant Utility to acquire an easement for their Facilities from the applicable property owner(s). Madison County in no way verifies the limits of Right-of-Way as shown on the permit application.

The Applicant Utility shall be responsible for all future maintenance and repair of the facilities installed under this permit. The Applicant Utility shall make future adjustments to, or relocate, the facilities located within road or highway right-of-way when required for road or highway widening or other road or highway construction at no cost to Madison County. The Applicant Utility shall relocate said utilities within sixty (60) days of notification by County by registered mail, return receipt requested, unless otherwise designated by the County Engineer. Further, any maintenance, repair, or construction shall be done in such a manner as to occasion no unreasonable interference with the normal flow and safety to traffic and at the expense of the utility company. When reasonable care has been taken to locate said utility facilities within the right-of-way, the Applicant Utility understands that any damages caused by routine maintenance and construction by County forces shall be borne by the Applicant Utility.

The Applicant Utility further agrees to indemnify and hold Madison County harmless for any and all claims, accidents, damages, liabilities and expenses occasioned wholly, or in part, by any act or omission of applicant, its agents or employees. In case County shall, without fault on its own part, be made a party to any litigation commenced by or against applicant, then applicant shall protect and hold County harmless, and shall pay all costs, expenses and reasonable attorney's fees incurred or paid by County in connection with said litigation.

All underground facilities shall be installed at a depth equal to or greater than 48" below the lowest adjacent grade.

All pipes carrying liquid shall be encased under County maintained roads.

WITNESS the signature of the Applicant this the 15 day of 06, 2023.

By: Linda Taibl
(Applicant Signature)

Title: Construction specialist

Note: Applicant must be an employee of the Utility named in this application. The Madison County Board of Supervisors will not recognize a Contractor, Subcontractor, Agent, or Consulting Engineer as the Applicant. Utility Company shall be fully responsible for all work performed under this application.

I, or my authorized representative, have reviewed this application and determined that the drawing, sketches, and plans submitted by the Applicant meet the requirements of *A Policy for The Accommodation of Utility Facilities within the Right-of-Way of all Public County Roads.*

APPROVED

By **By timothy.bryan at 12:37 pm, Jun 27, 2023**

Tim Bryan, P.E.
County Engineer **BT**

AGREED TO AND APPROVED BY:

Madison County Board President

Date: _____

ENTERED INTO THE MINUTES OF THE BOARD OF SUPERVISORS OF MADISON COUNTY, MISSISSIPPI ON THIS

_____ DAY OF _____, 20_____.

Appendix 1

County Road Name: MT PILGRIM RD
Beginning Location: 32.764139, -89.853474 Ending Location: 32.725044, -89.884616
Length of Project: 18934FT Section: 34 Township: 3 Range: 69
Description of Work: ATTACH NEW 24CT AND 48CT FIBER TO EXISTING POLES, BORE AND INSTALL
2" HDPE TO PULL NEW 24CT AND 48CT FIBER WITHIN THE MT PILGRIM RD RIGHT-OF WAY.

County Road Name: _____
Beginning Location: _____ Ending Location: _____
Length of Project: _____ Section: _____ Township: _____ Range: _____
Description of Work: _____

County Road Name: _____
Beginning Location: _____ Ending Location: _____
Length of Project: _____ Section: _____ Township: _____ Range: _____
Description of Work: _____

County Road Name: _____
Beginning Location: _____ Ending Location: _____
Length of Project: _____ Section: _____ Township: _____ Range: _____
Description of Work: _____

County Road Name: _____
Beginning Location: _____ Ending Location: _____
Length of Project: _____ Section: _____ Township: _____ Range: _____
Description of Work: _____

BEGIN OF THE PROJECT
32.764139, -89.853474

APPROX 10032
LORING RD EXD

Mt Pilgrim Church

Ben Lockett Rd

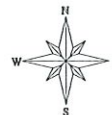
APPROX 4966'
BACON COVE

END OF THE PROJECT
32.725044, -89.884616

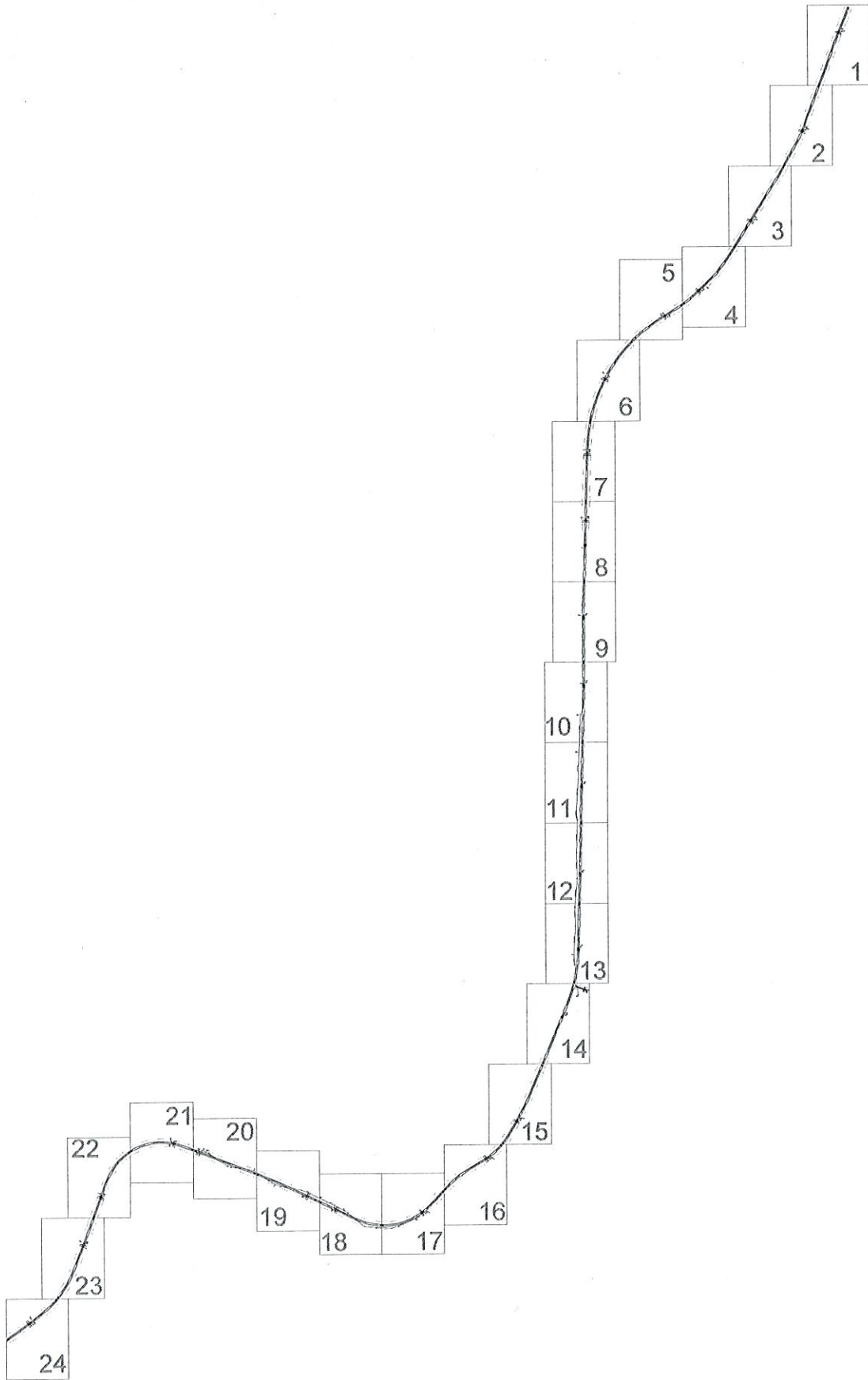
PREPARED BY:

COMCAST IS ATTACHING FIBER TO EXISTING
POLES, BORING AND INSTALLING NEW CONDUIT WITHIN
THE RIGHT-OF-WAY OWNED BY THE COUNTY
TOTAL: 18934ft

ENGINEERED FOR:



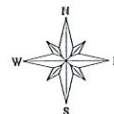
NO SCALE



PREPARED BY:

COMCAST IS ATTACHING FIBER TO EXISTING
 POLES, BORING AND INSTALLING NEW CONDUIT WITHIN
 THE RIGHT-OF-WAY OWNED BY THE COUNTY
 TOTAL: 18934ft

ENGINEERED FOR:



NO SCALE

NO MATCH SHEET

PROPOSED COMCAST UNDERGROUND
DIRECTIONAL BORE
4' MINIMUM DEPTH AT ALL POINTS
1 24CT FIBER CABLE
NO OTHER BURIED UTILITIES EXIST

PROPOSED VAULT PED
BEGIN OF THE PROJECT
32.764139, -89.853474

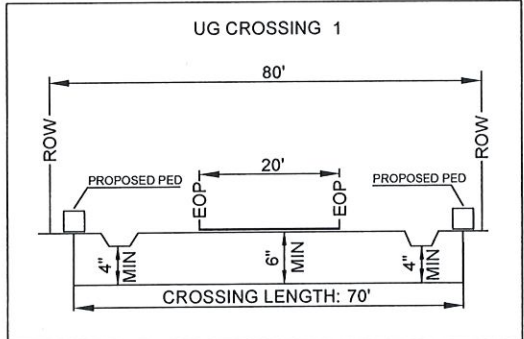
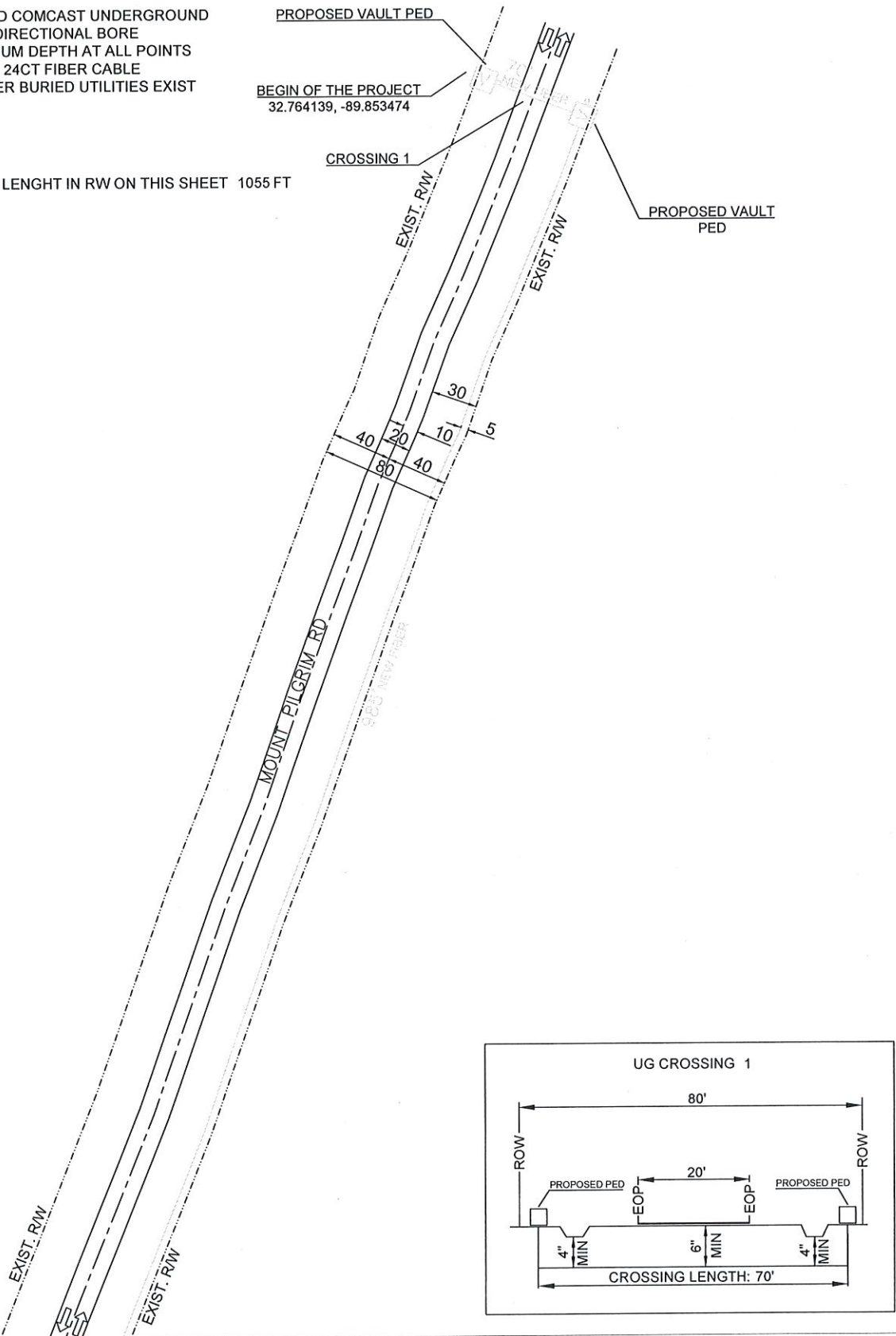
INSTALLATION LENGTH IN RW ON THIS SHEET 1055 FT

CROSSING 1

PROPOSED VAULT PED

NO MATCH SHEET

NO MATCH SHEET



MATCH SHEET 2

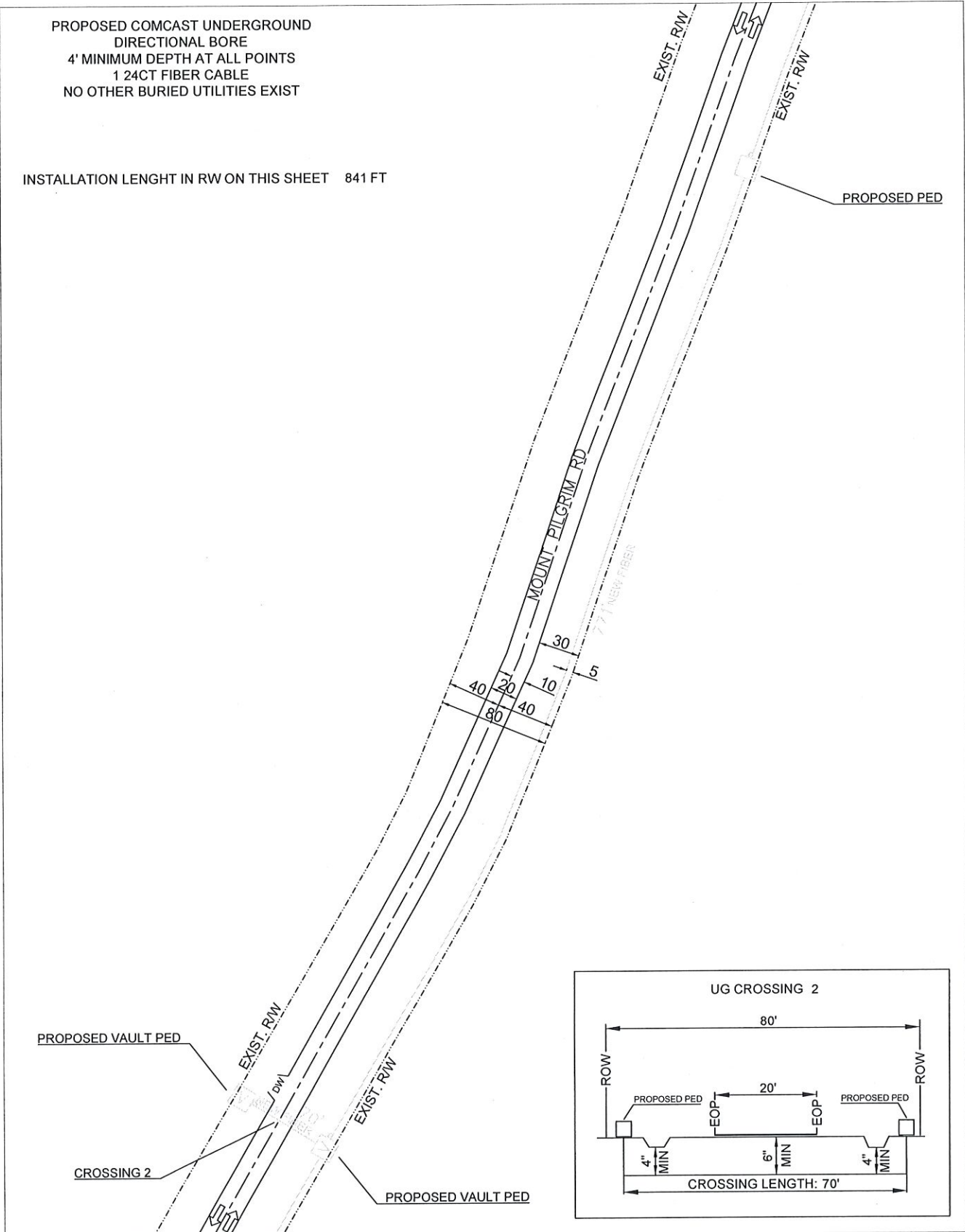
<p>PREPARED BY:</p> <p>QUASAR, INC.</p>	<ul style="list-style-type: none"> EXISTING POLE PROPOSED PEDESTAL PROPOSED VAULT WATER VALVE FIBER MARKER GAS MARKER MANHOLE SEWER MAINHOLE STORM DRAIN 	<ul style="list-style-type: none"> RIGHT OF WAY LINE IRRIGATION LINE WATER LINE GAS LINE PROPOSED ANCHOR PROPOSED RISER <p>LEGEND: RW - RIGHT OF WAY EOP - EDGE OF PAVEMENT DW - DRIVEWAY PDW - PAVED DRIVEWAY</p>	<ul style="list-style-type: none"> PROPOSED COAXIAL CABLE PROPOSED FIBER CABLE PROPOSED DIRECTIONAL BORE EXISTING CABLE COUNTY LINE 		<p>ENGINEERED FOR:</p> <p>MADISON COUNTY MT PILGRIM RD TRANSPORT FIBER</p>		<p>NO SCALE</p>	<p>SHEET 1 OF 24</p>
	<p>NOTES: BORE HOLE TO BE FILLED SAME DAY VAULT HOLE TO BE FILLED SAME DAY ALL HOLE TO BE TAMPED AND SODDED</p>							

PROPOSED COMCAST UNDERGROUND
DIRECTIONAL BORE
4' MINIMUM DEPTH AT ALL POINTS
1 24CT FIBER CABLE
NO OTHER BURIED UTILITIES EXIST

INSTALLATION LENGTH IN RW ON THIS SHEET 841 FT

NO MATCH SHEET

NO MATCH SHEET



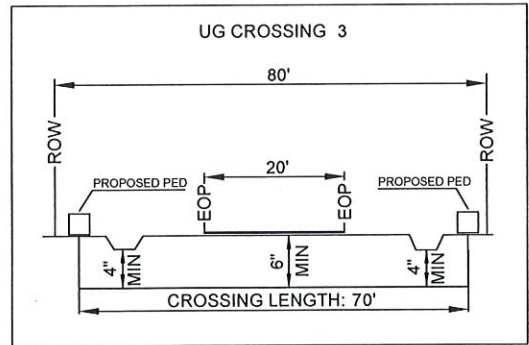
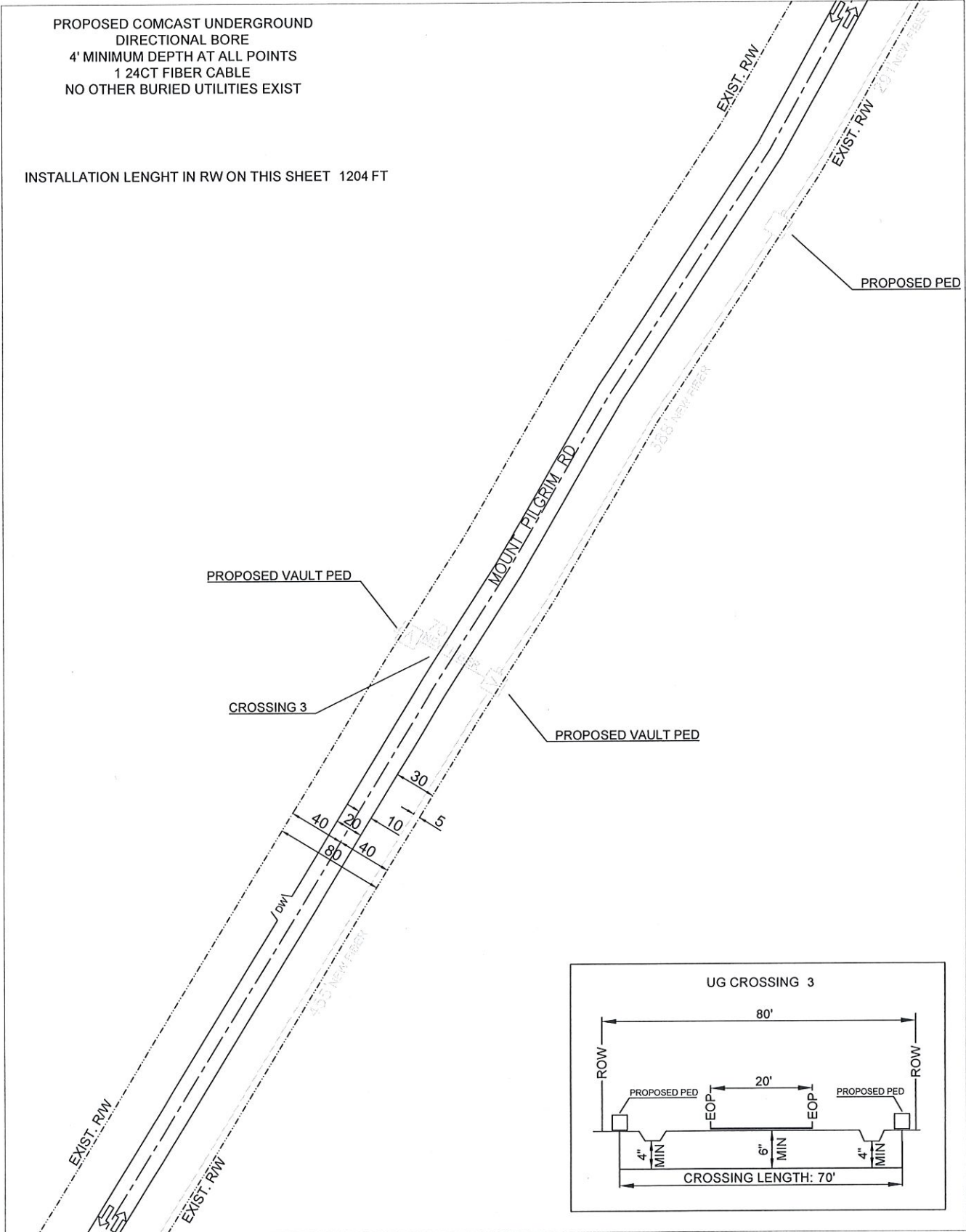
<p>PREPARED BY:</p> <p>QUASAR, INC.</p>	<p>EXISTING POLE</p> <p>PROPOSED PEDESTAL</p> <p>PROPOSED VAULT</p> <p>WATER VALVE</p> <p>FIBER MARKER</p> <p>GAS MARKER</p> <p>MANHOLE</p> <p>SEWER MANHOLE</p> <p>STORM DRAIN</p>	<p>RIGHT OF WAY LINE</p> <p>IRRIGATION LINE</p> <p>WATER LAINE</p> <p>GAS LAINE</p> <p>PROPOSED ANCHOR</p> <p>PROPOSED RISER</p>	<p>PROPOSED COAXIAL CABLE</p> <p>PROPOSED FIBER CABLE</p> <p>PROPOSED DIRECTIONAL BORE</p> <p>EXISTING CABLE</p> <p>COUNTY LINE</p>		<p>ENGINEERED FOR:</p> <p>MADISON COUNTY</p> <p>MT PILGRIM RD</p> <p>TRANSPORT FIBER</p>		<p>NO SCALE</p>	<p>SHEET 2 OF 24</p>
	<p>LEGEND:</p> <p>RW - RIGHT OF WAY</p> <p>EOP - EDGE OF PAVEMENT</p> <p>DW - DRIVEWAY</p> <p>PDW - PAVED DRIVEWAY</p>	<p>NOTES:</p> <p>BORE HOLE TO BE FILLED SAME DAY</p> <p>VAULT HOLE TO BE FILLED SAME DAY</p> <p>ALL HOLE TO BE TAMPED AND SODDED</p>	<p>NO SCALE</p>		<p>SHEET 2 OF 24</p>			

PROPOSED COMCAST UNDERGROUND
DIRECTIONAL BORE
4' MINIMUM DEPTH AT ALL POINTS
1 24CT FIBER CABLE
NO OTHER BURIED UTILITIES EXIST

INSTALLATION LENGTH IN RW ON THIS SHEET 1204 FT

NO MATCH SHEET

NO MATCH SHEET



MATCH SHEET 4

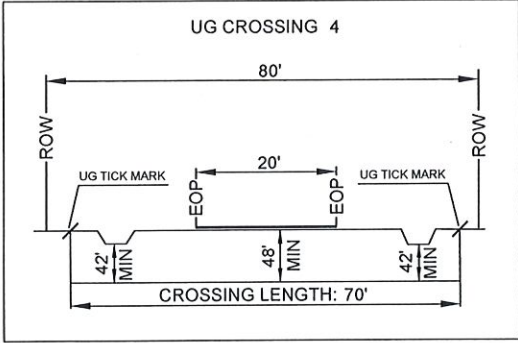
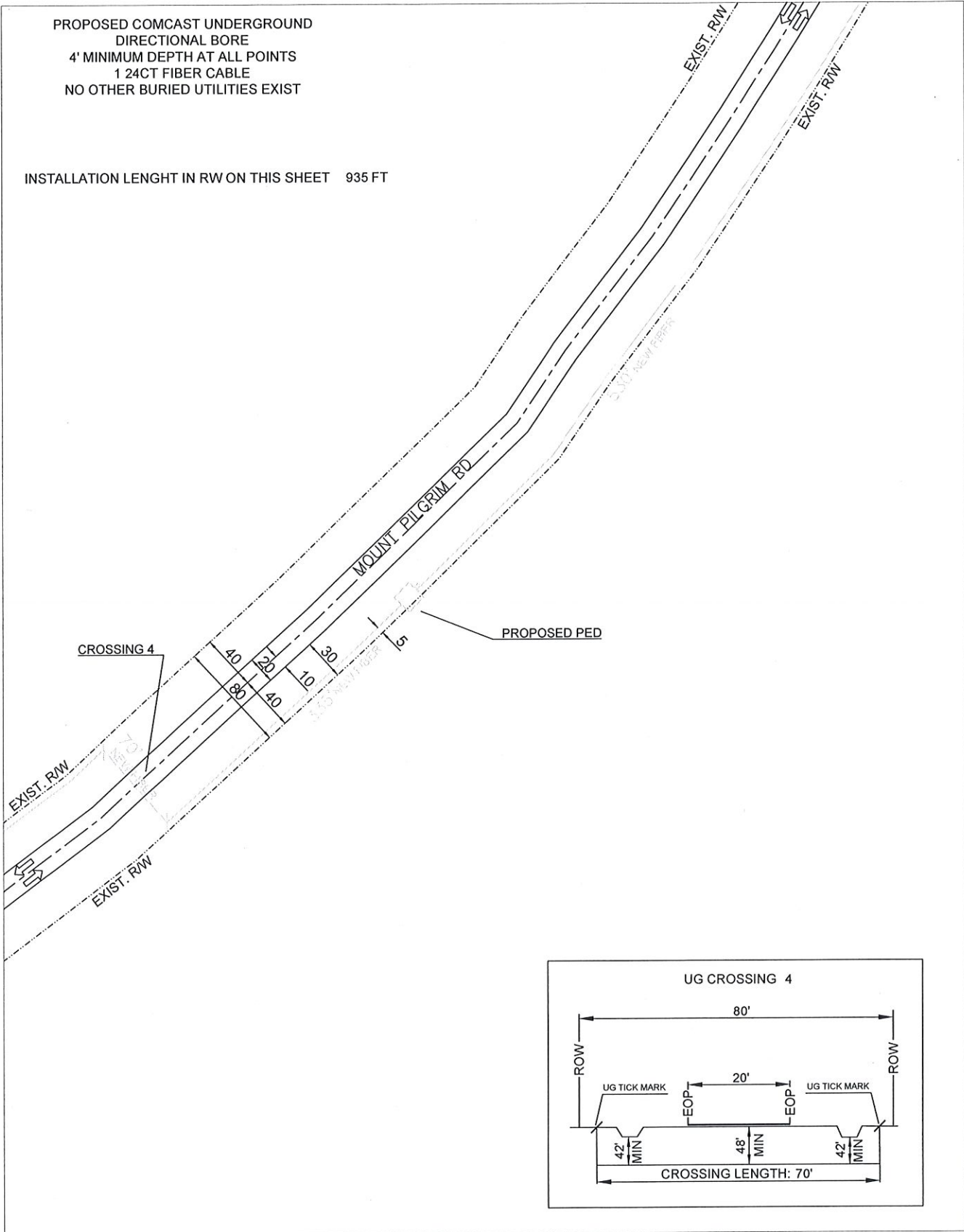
<p>PREPARED BY:</p> <p>QUASAR, INC.</p>	<p>EXISTING POLE</p> <p>PROPOSED PEDESTAL</p> <p>PROPOSED VAULT</p> <p>WATER VALVE</p> <p>FIBER MARKER</p> <p>GAS MARKER</p> <p>MANHOLE</p> <p>SEWER MANHOLE</p> <p>STORM DRAIN</p>	<p>RIGHT OF WAY LINE</p> <p>IRRIGATION LINE</p> <p>WATER LAINE</p> <p>GAS LAINE</p> <p>PROPOSED ANCHOR</p> <p>PROPOSED RISER</p>	<p>PROPOSED COAXIAL CABLE</p> <p>PROPOSED FIBER CABLE</p> <p>PROPOSED DIRECTIONAL BORE</p> <p>EXISTING CABLE</p> <p>COUNTY LINE</p>		<p>ENGINEERED FOR:</p> <p>MADISON COUNTY</p> <p>MT PILGRIM RD</p> <p>TRANSPORT FIBER</p>		<p>NO SCALE</p>	<p>SHEET 3 OF 24</p>
	<p>LEGEND:</p> <p>RW - RIGHT OF WAY</p> <p>EOP - EDGE OF PAVEMENT</p> <p>DW - DRIVEWAY</p> <p>PDW - PAVED DRIVEWAY</p>	<p>NOTES:</p> <p>BORE HOLE TO BE FILLED SAME DAY</p> <p>VAULT HOLE TO BE FILLED SAME DAY</p> <p>ALL HOLE TO BE TAMPED AND SODDED</p>	<p>COMCAST</p>					

PROPOSED COMCAST UNDERGROUND
DIRECTIONAL BORE
4' MINIMUM DEPTH AT ALL POINTS
1 24CT FIBER CABLE
NO OTHER BURIED UTILITIES EXIST

INSTALLATION LENGTH IN RW ON THIS SHEET 935 FT

MATCH SHEET 5

NO MATCH SHEET



NO MATCH SHEET

<p>PREPARED BY:</p> <p>QUASAR, INC.</p>	<p>EXISTING POLE</p> <p>PROPOSED PEDESTAL</p> <p>PROPOSED VAULT</p> <p>WATER VALVE</p> <p>FIBER MARKER</p> <p>GAS MARKER</p> <p>MANHOLE</p> <p>SEWER MANHOLE</p> <p>STORM DRAIN</p>	<p>RIGHT OF WAY LINE</p> <p>IRRIGATION LINE</p> <p>WATER LANE</p> <p>GAS LANE</p> <p>PROPOSED ANCHOR</p> <p>PROPOSED RISER</p>	<p>PROPOSED COAXIAL CABLE</p> <p>PROPOSED FIBER CABLE</p> <p>PROPOSED DIRECTIONAL BORE</p> <p>EXISTING CABLE</p> <p>COUNTY LINE</p>		<p>ENGINEERED FOR:</p> <p>MADISON COUNTY</p> <p>MT PILGRIM RD</p> <p>TRANSPORT FIBER</p>		<p>NO SCALE</p>	<p>SHEET 4 OF 24</p>
	<p>LEGEND:</p> <p>RW - RIGHT OF WAY</p> <p>EOP - EDGE OF PAVEMENT</p> <p>DW - DRIVEWAY</p> <p>PDW - PAVED DRIVEWAY</p>	<p>NOTES:</p> <p>BORE HOLE TO BE FILLED SAME DAY</p> <p>VAULT HOLE TO BE FILLED SAME DAY</p> <p>ALL HOLE TO BE TAMPED AND SOCCED</p>	<p>COMCAST</p>					

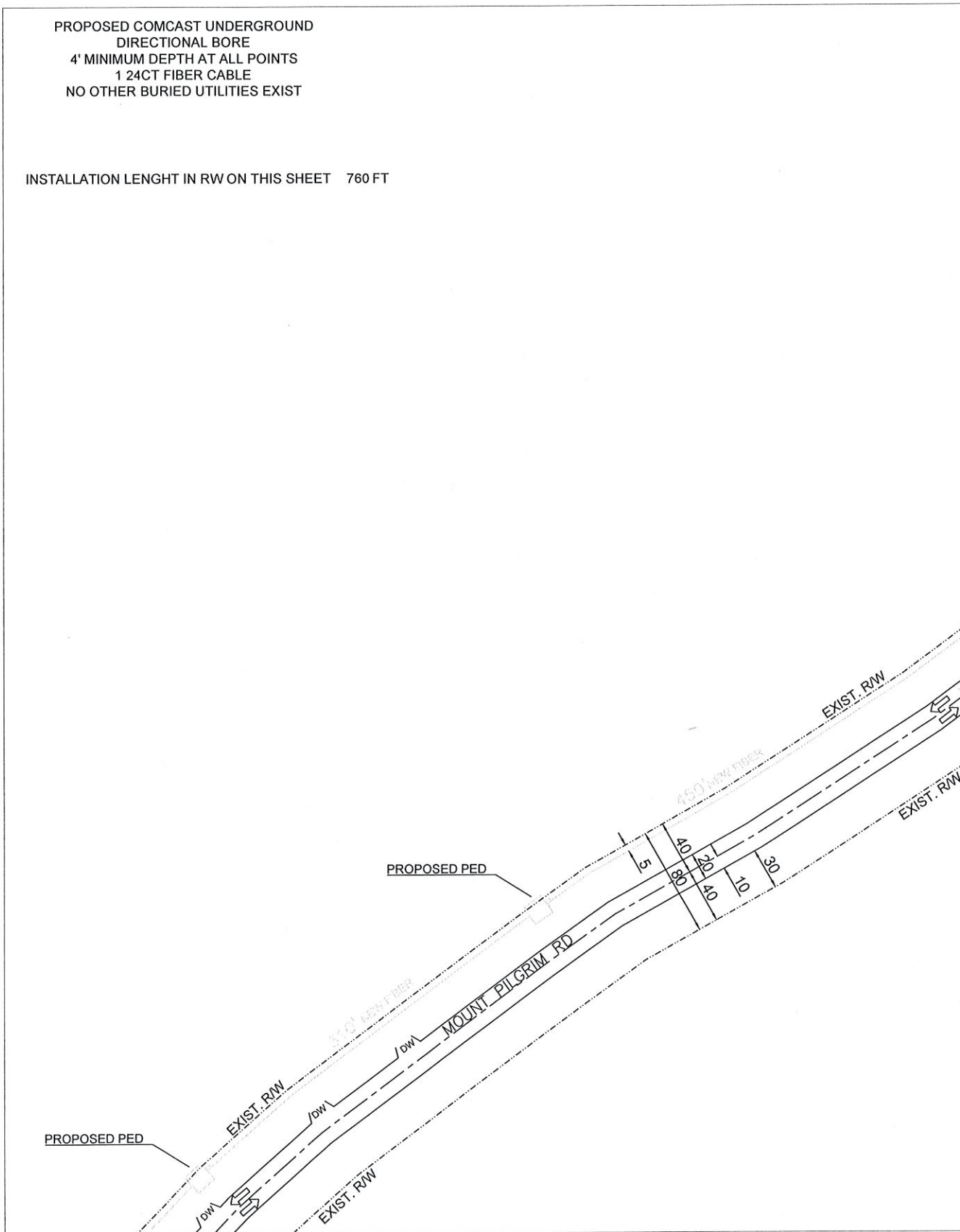
NO MATCH SHEET

PROPOSED COMCAST UNDERGROUND
DIRECTIONAL BORE
4' MINIMUM DEPTH AT ALL POINTS
1 24CT FIBER CABLE
NO OTHER BURIED UTILITIES EXIST

INSTALLATION LENGTH IN RW ON THIS SHEET 760 FT

NO MATCH SHEET

MATCH SHEET 4



MATCH SHEET 6

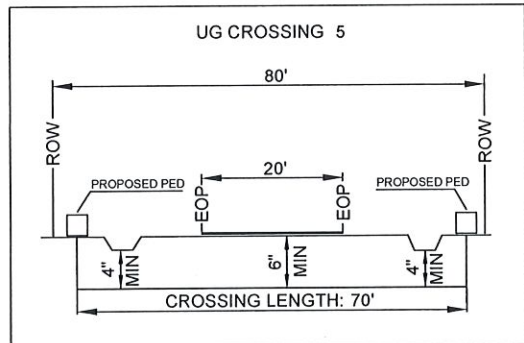
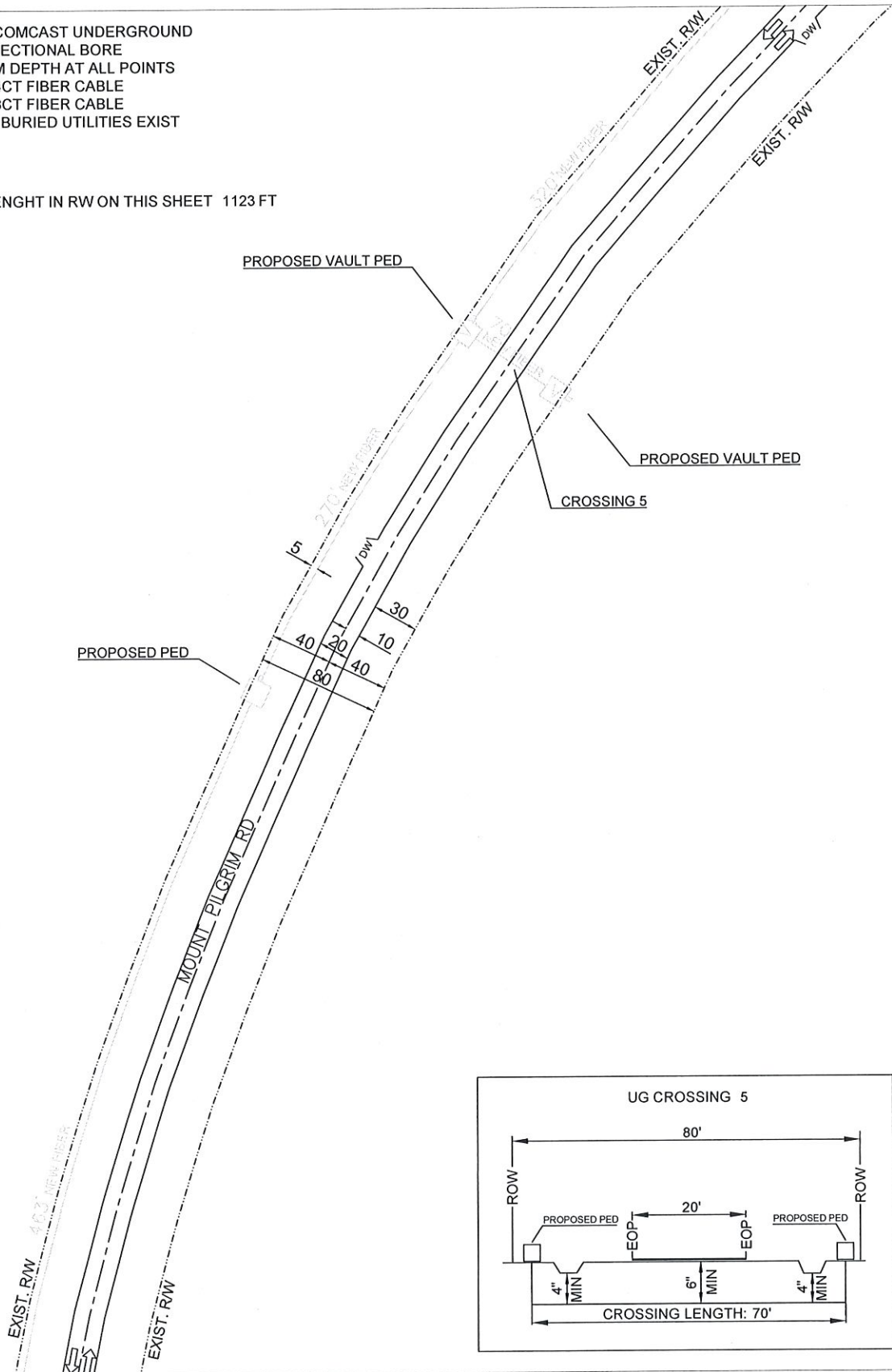
<p>PREPARED BY:</p>	<table border="0"> <tr> <td> <ul style="list-style-type: none"> ⊗ EXISTING POLE □ PROPOSED PEDESTAL ▣ PROPOSED VAULT ⊕ WATER VALVE ⊕ FIBER MARKER ⊕ GAS MARKER ⊕ MAN-HOLE ⊕ SEWER MAN-HOLE ⊕ STORM DRAIN </td> <td> <ul style="list-style-type: none"> --- RIGHT OF WAY LINE --- IRRIGATION LINE --- WATER LANE --- GAS LANE ⊕ PROPOSED ANCHOR ⊕ PROPOSED RISER </td> <td> <ul style="list-style-type: none"> --- PROPOSED COAXIAL CABLE --- PROPOSED FIBER CABLE --- PROPOSED DIRECTIONAL BORE --- EXISTING CABLE --- COUNTY LINE </td> </tr> </table>	<ul style="list-style-type: none"> ⊗ EXISTING POLE □ PROPOSED PEDESTAL ▣ PROPOSED VAULT ⊕ WATER VALVE ⊕ FIBER MARKER ⊕ GAS MARKER ⊕ MAN-HOLE ⊕ SEWER MAN-HOLE ⊕ STORM DRAIN 	<ul style="list-style-type: none"> --- RIGHT OF WAY LINE --- IRRIGATION LINE --- WATER LANE --- GAS LANE ⊕ PROPOSED ANCHOR ⊕ PROPOSED RISER 	<ul style="list-style-type: none"> --- PROPOSED COAXIAL CABLE --- PROPOSED FIBER CABLE --- PROPOSED DIRECTIONAL BORE --- EXISTING CABLE --- COUNTY LINE 		<p>ENGINEERED FOR:</p> <p>MADISON COUNTY MT PILGRIM RD TRANSPORT FIBER</p>
<ul style="list-style-type: none"> ⊗ EXISTING POLE □ PROPOSED PEDESTAL ▣ PROPOSED VAULT ⊕ WATER VALVE ⊕ FIBER MARKER ⊕ GAS MARKER ⊕ MAN-HOLE ⊕ SEWER MAN-HOLE ⊕ STORM DRAIN 	<ul style="list-style-type: none"> --- RIGHT OF WAY LINE --- IRRIGATION LINE --- WATER LANE --- GAS LANE ⊕ PROPOSED ANCHOR ⊕ PROPOSED RISER 	<ul style="list-style-type: none"> --- PROPOSED COAXIAL CABLE --- PROPOSED FIBER CABLE --- PROPOSED DIRECTIONAL BORE --- EXISTING CABLE --- COUNTY LINE 				
<p>QUASAR, INC.</p>	<p>LEGEND:</p> <p>RW - RIGHT OF WAY EOP - EDGE OF PAVEMENT DW - DRIVEWAY PDW - PAVED DRIVEWAY</p>	<p>NOTES:</p> <p>BORE HOLE TO BE FILLED SAME DAY VAULT HOLE TO BE FILLED SAME DAY ALL HOLE TO BE TAMPED AND SODDED</p>		<p>NO SCALE SHEET 5 OF 24</p>		

PROPOSED COMCAST UNDERGROUND
 DIRECTIONAL BORE
 4' MINIMUM DEPTH AT ALL POINTS
 1 24CT FIBER CABLE
 1 48CT FIBER CABLE
 NO OTHER BURIED UTILITIES EXIST

INSTALLATION LENGTH IN RW ON THIS SHEET 1123 FT

NO MATCH SHEET

NO MATCH SHEET



MATCH SHEET 7

PREPARED BY: 	EXISTING POLE PROPOSED PEDESTAL PROPOSED VAULT WATER VALVE FIBER MARKER GAS MARKER MANHOLE SEWER MAINHOLE STORM DRAIN	RIGHT OF WAY LINE IRRIGATION LINE WATER LAINE GAS LAINE PROPOSED ANCHOR PROPOSED RISER	PROPOSED COAXIAL CABLE PROPOSED FIBER CABLE PROPOSED DIRECTIONAL BORE EXISTING CABLE COUNTY LINE		ENGINEERED FOR: MADISON COUNTY MT PILGRIM RD TRANSPORT FIBER
	LEGEND: RW - RIGHT OF WAY EOP - EDGE OF PAVEMENT DW - DRIVEWAY PDW - PAVED DRIVEWAY	NOTES: BORE HOLE TO BE FILLED SAME DAY VAULT HOLE TO BE FILLED SAME DAY ALL HOLE TO BE TAMPED AND SODDED			NO SCALE SHEET 6 OF 24

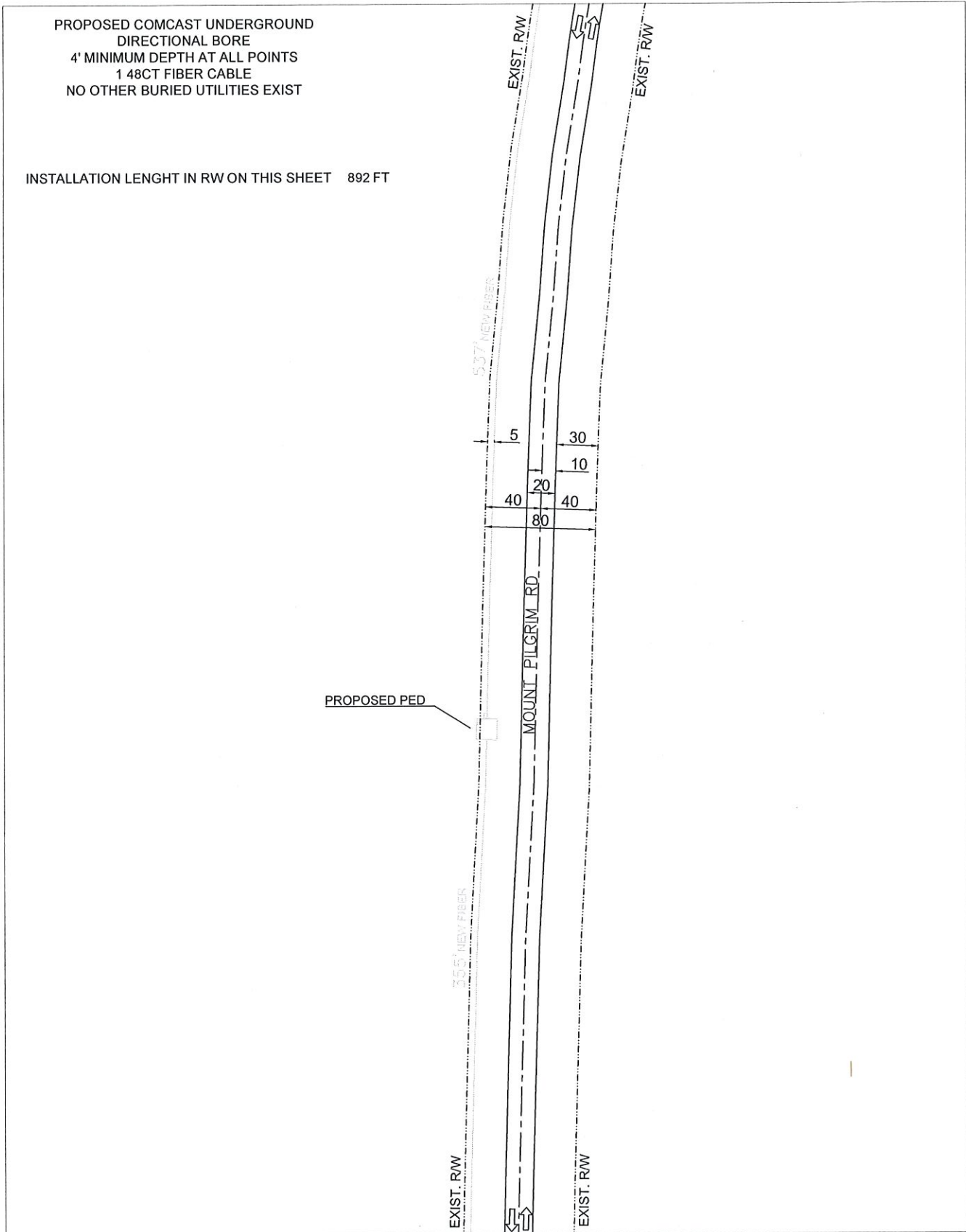
MATCH SHEET 6

PROPOSED COMCAST UNDERGROUND
DIRECTIONAL BORE
4' MINIMUM DEPTH AT ALL POINTS
1 48CT FIBER CABLE
NO OTHER BURIED UTILITIES EXIST

INSTALLATION LENGTH IN RW ON THIS SHEET 892 FT

NO MATCH SHEET

NO MATCH SHEET



MATCH SHEET 8

PREPARED BY: 	EXISTING POLE PROPOSED PEDESTAL PROPOSED VAULT WATER VALVE FIBER MARKER GAS MARKER MANHOLE SEWER MANHOLE STORM DRAIN	RIGHT OF WAY LINE IRRIGATION LINE WATER LANE GAS LANE PROPOSED ANCHOR PROPOSED RISER LEGEND: RW - RIGHT OF WAY EOP - EDGE OF PAVEMENT DW - DRIVEWAY PSW - PAVED DRIVEWAY	PROPOSED COAXIAL CABLE PROPOSED FIBER CABLE PROPOSED DIRECTIONAL BORE EXISTING CABLE COUNTY LINE		ENGINEERED FOR: 	MADISON COUNTY MT PILGRIM RD TRANSPORT FIBER
	NOTES: BORE HOLE TO BE FILLED SAME DAY VAULT HOLE TO BE FILLED SAME DAY ALL HOLE TO BE TAMPED AND SODDED	NO SCALE SHEET 7 OF 24				

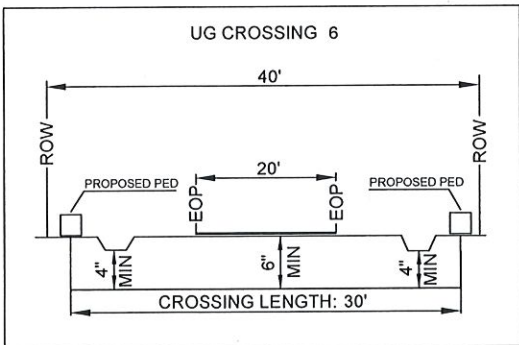
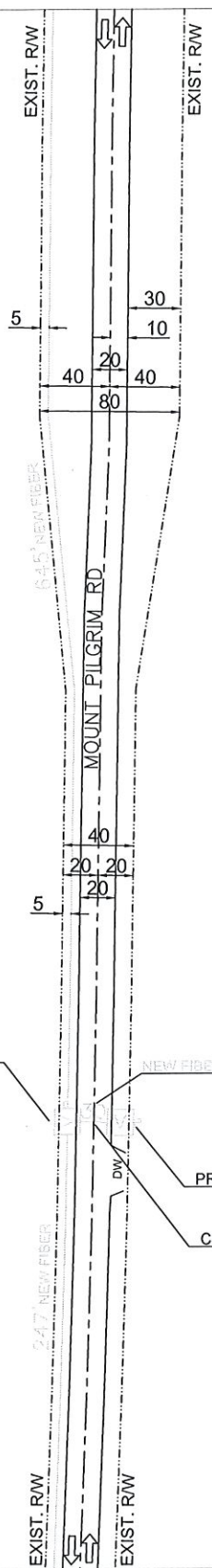
MATCH SHEET 7

PROPOSED COMCAST UNDERGROUND
DIRECTIONAL BORE
4' MINIMUM DEPTH AT ALL POINTS
1 48CT FIBER CABLE
NO OTHER BURIED UTILITIES EXIST

INSTALLATION LENGTH IN RW ON THIS SHEET 932 FT

NO MATCH SHEET

NO MATCH SHEET



PREPARED BY: 	EXISTING POLE PROPOSED PEDESTAL PROPOSED VAULT WATER VALVE FIBER MARKER GAS MARKER MANHOLE SEWER MANHOLE STORM DRAIN	RIGHT OF WAY LINE IRRIGATION LINE WATER LANE GAS LANE PROPOSED ANCHOR PROPOSED RISER	PROPOSED COAXIAL CABLE PROPOSED FIBER CABLE PROPOSED DIRECTIONAL BORE EXISTING CABLE COUNTY LINE		ENGINEERED FOR: 	MADISON COUNTY MT PILGRIM RD TRANSPORT FIBER
	LEGEND: RW - RIGHT OF WAY EOP - EDGE OF PAVEMENT DW - DRIVEWAY PDW - PAVED DRIVEWAY	NOTES: BORE HOLE TO BE FILLED SAME DAY VAULT HOLE TO BE FILLED SAME DAY ALL HOLE TO BE TAMPED AND SOODED	NO SCALE		SHEET 8 OF 24	

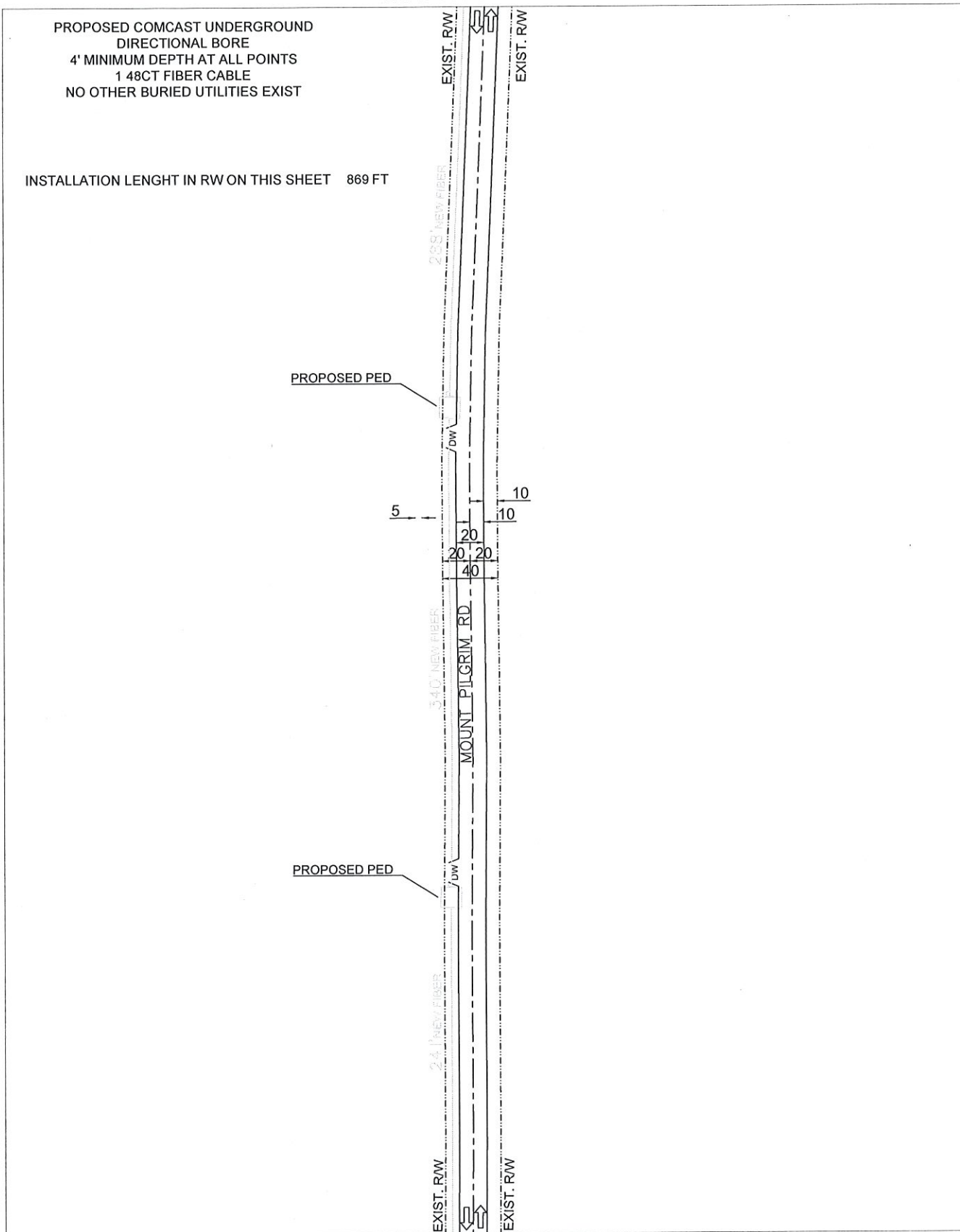
MATCH SHEET 8

PROPOSED COMCAST UNDERGROUND
DIRECTIONAL BORE
4' MINIMUM DEPTH AT ALL POINTS
1 48CT FIBER CABLE
NO OTHER BURIED UTILITIES EXIST

INSTALLATION LENGTH IN RW ON THIS SHEET 869 FT

NO MATCH SHEET

NO MATCH SHEET



MATCH SHEET 10

PREPARED BY: 	EXISTING POLE PROPOSED PEDESTAL PROPOSED VAULT WATER VALVE FIBER MARKER GAS MARKER MANHOLE SEWER MANHOLE STORM DRAIN	RIGHT OF WAY LINE IRRIGATION LINE WATER LANE GAS LANE PROPOSED ANCHOR PROPOSED RISERS LEGEND: RW - RIGHT OF WAY EOP - EDGE OF PAVEMENT DW - DRIVEWAY PDW - PAVED DRIVEWAY	PROPOSED COAXIAL CABLE PROPOSED FIBER CABLE PROPOSED DIRECTIONAL BORE EXISTING CABLE COUNTY LINE		ENGINEERED FOR: 	MADISON COUNTY MT PILGRIM RD TRANSPORT FIBER
	NOTES: BORE HOLE TO BE FILLED SAME DAY VAULT HOLE TO BE FILLED SAME DAY ALL HOLE TO BE TAMPED AND SODDED	NO SCALE SHEET 9 OF 24				

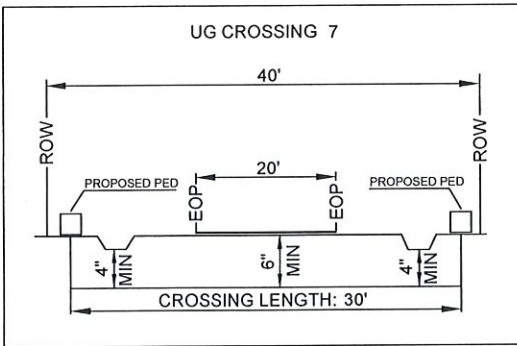
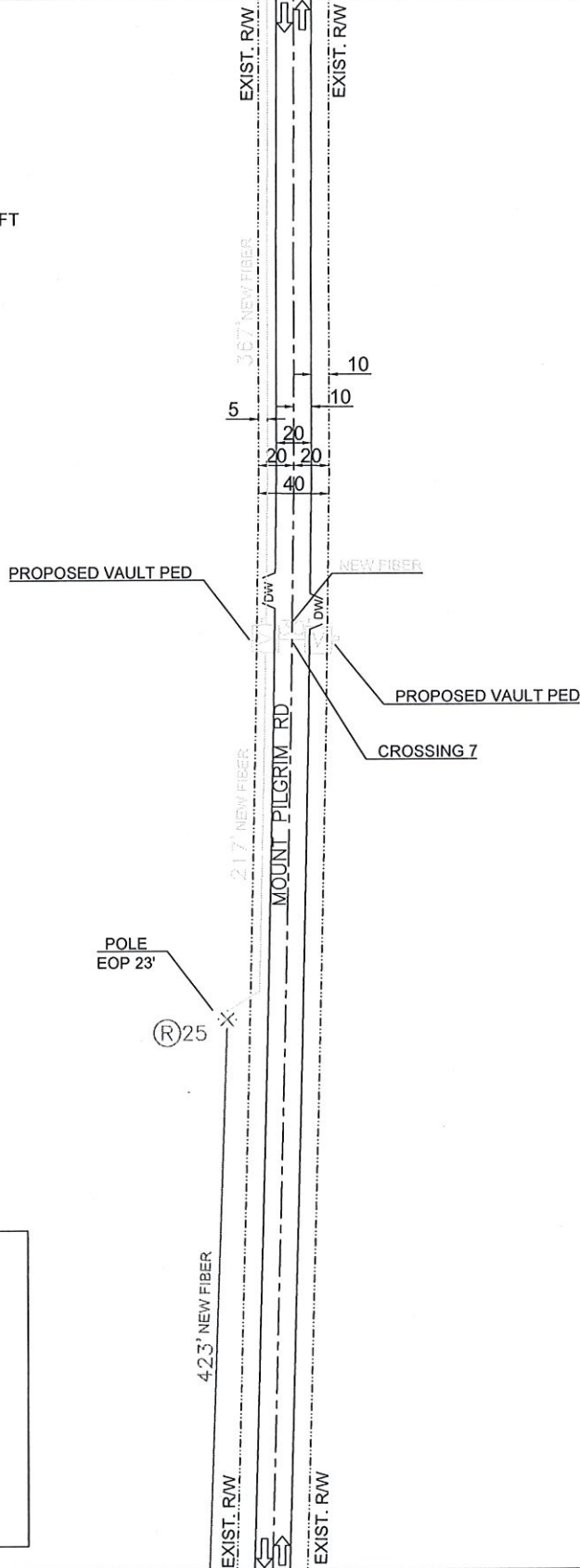
MATCH SHEET 9

PROPOSED COMCAST NEW ATTACHMENT
 18' MINIMUM HEIGHT AT ALL POINTS
 1 48CT FIBER CABLE
 PROPOSED COMCAST UNDERGROUND
 DIRECTIONAL BORE
 4' MINIMUM DEPTH AT ALL POINTS
 1 48CT FIBER CABLE
 NO OTHER BURIED UTILITIES EXIST

INSTALLATION LENGTH IN RW ON THIS SHEET 584 FT

NO MATCH SHEET

NO MATCH SHEET



MATCH SHEET 11

PREPARED BY: 	EXISTING POLE PROPOSED PEDESTAL PROPOSED VAULT WATER VALVE FIBER MARKER GAS MARKER MANHOLE SEWER MANHOLE STORM DRAIN	RIGHT OF WAY LINE IRRIGATION LINE WATER LANE GAS LANE PROPOSED ANCHOR PROPOSED RISER	PROPOSED COAXIAL CABLE PROPOSED FIBER CABLE PROPOSED DIRECTIONAL BORE EXISTING CABLE COUNTY LINE		ENGINEERED FOR: MADISON COUNTY MT PILGRIM RD TRANSPORT FIBER
	LEGEND: RW - RIGHT OF WAY EOP - EDGE OF PAVEMENT DW - DRIVEWAY PDW - PAVED DRIVEWAY	NOTES: BORE HOLE TO BE FILLED SAME DAY VAULT HOLE TO BE FILLED SAME DAY ALL HOLE TO BE TAMPED AND SODDED			NO SCALE SHEET 10 OF 24

MATCH SHEET 10

PROPOSED COMCAST NEW ATTACHMENT
 18' MINIMUM HEIGHT AT ALL POINTS
 1 48CT FIBER CABLE
 PROPOSED COMCAST UNDERGROUND
 DIRECTIONAL BORE
 4' MINIMUM DEPTH AT ALL POINTS
 1 48CT FIBER CABLE
 NO OTHER BURIED UTILITIES EXIST

INSTALLATION LENGTH IN RW ON THIS SHEET 100 FT

CABLE EXIT OF R/W

POLE
EOP 27'

(R)25

278' NEW FIBER

POLE
EOP 28'

359' NEW FIBER

POLE
EOP 44'

87' NEW FIBER

POLE
EOP 31'

EXIST. RW

EXIST. RW

100' NEW FIBER

MOUNT PILGRIM RD

10
10

20
20

40




EXIST. RW

EXIST. RW

NO MATCH SHEET

NO MATCH SHEET

MATCH SHEET 12

PREPARED BY:  QUASAR, INC.	EXISTING POLE PROPOSED PEDESTAL PROPOSED VAULT WATER VALVE FIBER MARKER GAS MARKER MANHOLE SEWER MANHOLE STORM DRAIN	RIGHT OF WAY LINE IRRIGATION LINE WATER LANE GAS LANE PROPOSED ANCHOR PROPOSED RISER	PROPOSED COAXIAL CABLE PROPOSED FIBER CABLE PROPOSED DIRECTIONAL BORE EXISTING CABLE COUNTY LINE		ENGINEERED FOR:  COMCAST	MADISON COUNTY MT PILGRIM RD TRANSPORT FIBER
	LEGEND: RW - RIGHT OF WAY EOP - EDGE OF PAVEMENT DW - DRIVEWAY PDW - PAVED DRIVEWAY	NOTES: BORE HOLE TO BE FILLED SAME DAY VAULT HOLE TO BE FILLED SAME DAY ALL HOLE TO BE TAMPED AND SOODED	NO SCALE SHEET 11 OF 24			

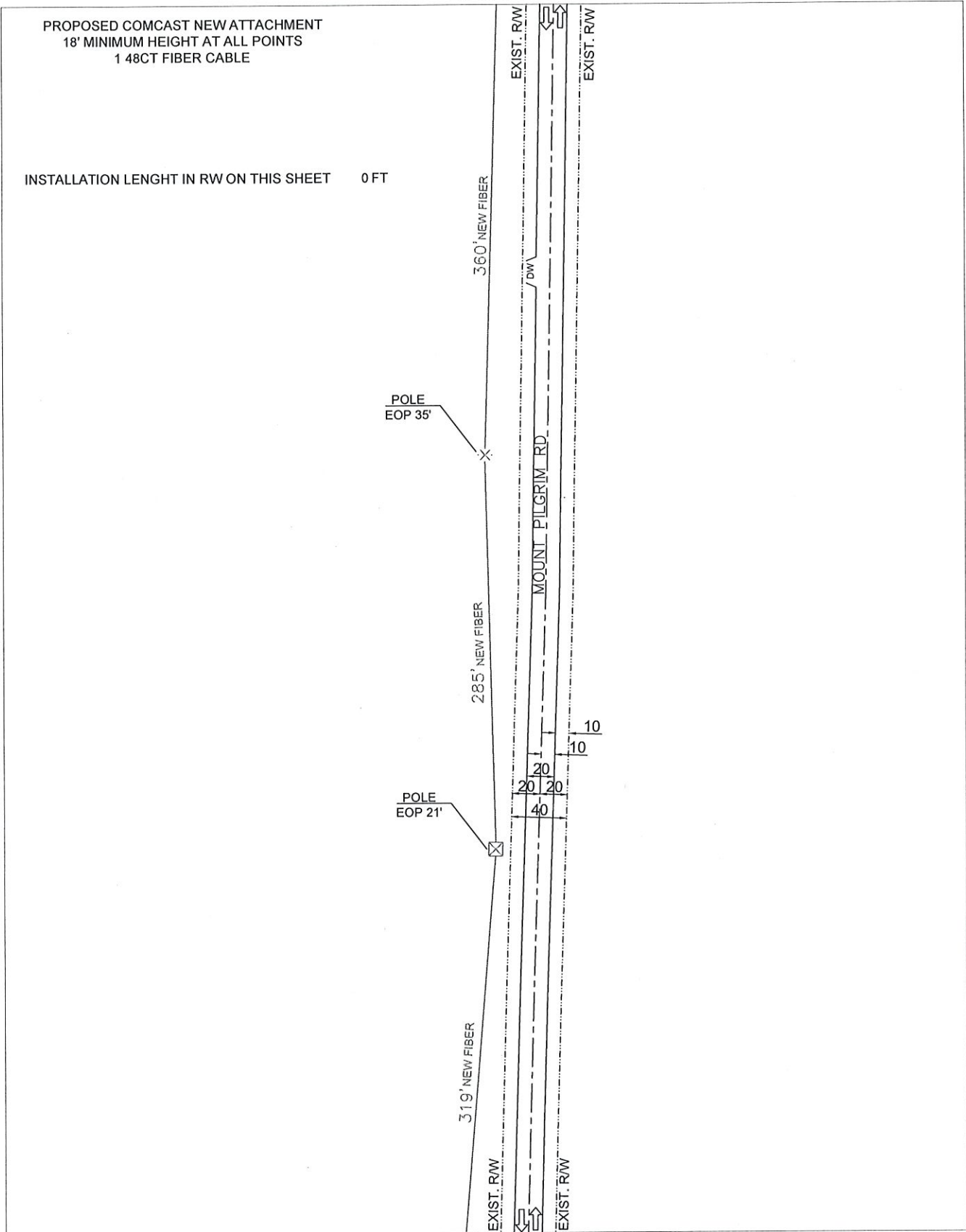
MATCH SHEET 11

PROPOSED COMCAST NEW ATTACHMENT
 18' MINIMUM HEIGHT AT ALL POINTS
 1 48CT FIBER CABLE

INSTALLATION LENGTH IN RW ON THIS SHEET 0 FT

NO MATCH SHEET

NO MATCH SHEET



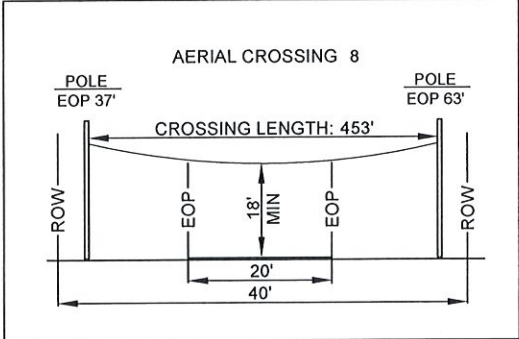
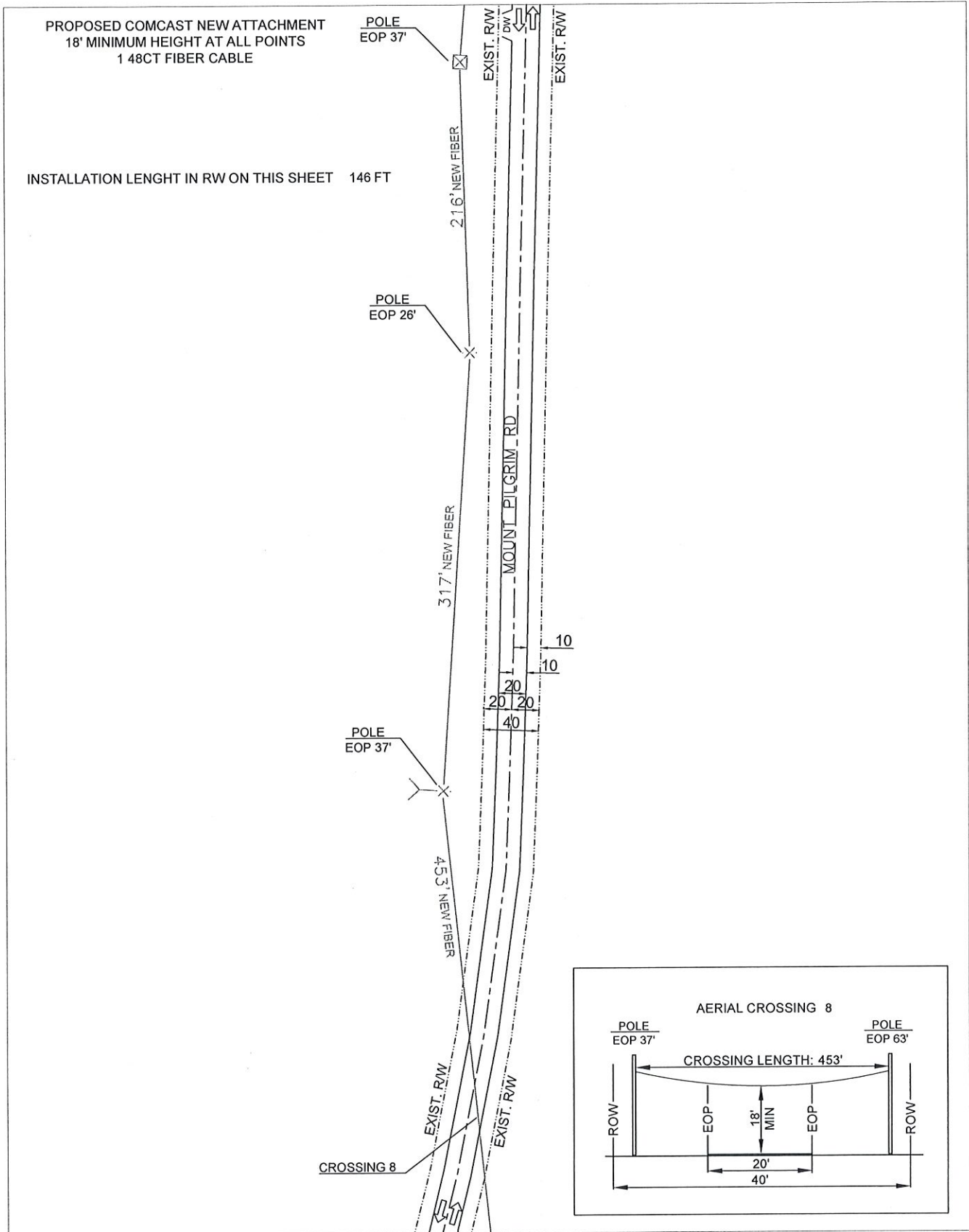
MATCH SHEET 13

PREPARED BY: 	EXISTING POLE PROPOSED PEDESTAL PROPOSED VAULT WATER VALVE FIBER MARKER GAS MARKER MANHOLE SEWER MANHOLE STORM DRAIN	RIGHT OF WAY LINE IRRIGATION LINE WATER LANE GAS LANE PROPOSED ANCHOR PROPOSED RISER	PROPOSED COAXIAL CABLE PROPOSED FIBER CABLE PROPOSED DIRECTIONAL BORE EXISTING CABLE COUNTY LINE		ENGINEERED FOR: MADISON COUNTY MT PILGRIM RD TRANSPORT FIBER		NO SCALE	SHEET 12 OF 24
	LEGEND: RW - RIGHT OF WAY EOP - EDGE OF PAVEMENT DW - DRIVEWAY PDW - PAVED DRIVEWAY	NOTES: BORE HOLE TO BE FILLED SAME DAY VAULT HOLE TO BE FILLED SAME DAY ALL HOLE TO BE TAMPED AND SOODED	COMCAST					

MATCH SHEET 12

NO MATCH SHEET

NO MATCH SHEET



MATCH SHEET 14

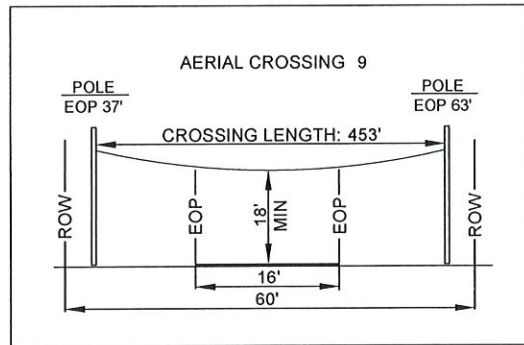
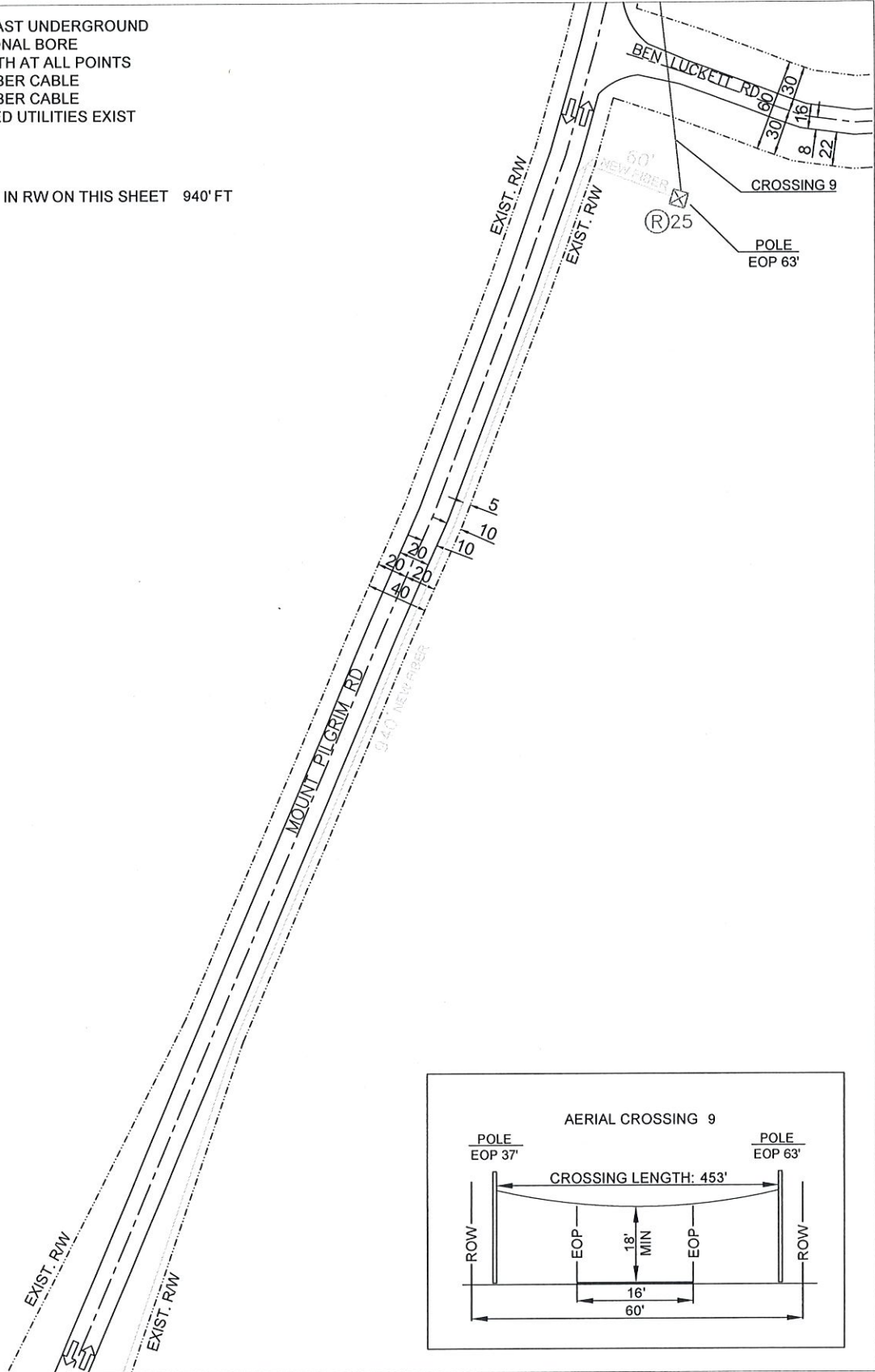
PREPARED BY: 	EXISTING POLE PROPOSED PEDESTAL PROPOSED VAULT WATER VALVE FIBER MARKER GAS MARKER MANHOLE SEWER MANHOLE STORM DRAIN	RIGHT OF WAY LINE IRRIGATION LINE WATER LANE GAS LANE PROPOSED ANCHOR PROPOSED RISER	PROPOSED COAXIAL CABLE PROPOSED FIBER CABLE PROPOSED DIRECTIONAL BORE EXISTING CABLE COUNTY LINE		ENGINEERED FOR: 	MADISON COUNTY MT PILGRIM RD TRANSPORT FIBER
	LEGEND: RW - RIGHT OF WAY EOP - EDGE OF PAVEMENT DW - DRIVEWAY POW - PAVED DRIVEWAY	NOTES: BORE HOLE TO BE FILLED SAME DAY VAULT HOLE TO BE FILLED SAME DAY ALL HOLE TO BE TAMPED AND SODDED	NO SCALE		SHEET 13 OF 24	

PROPOSED COMCAST UNDERGROUND
 DIRECTIONAL BORE
 4' MINIMUM DEPTH AT ALL POINTS
 1 24CT FIBER CABLE
 1 48CT FIBER CABLE
 NO OTHER BURIED UTILITIES EXIST

INSTALLATION LENGTH IN RW ON THIS SHEET 940' FT

NO MATCH SHEET

NO MATCH SHEET



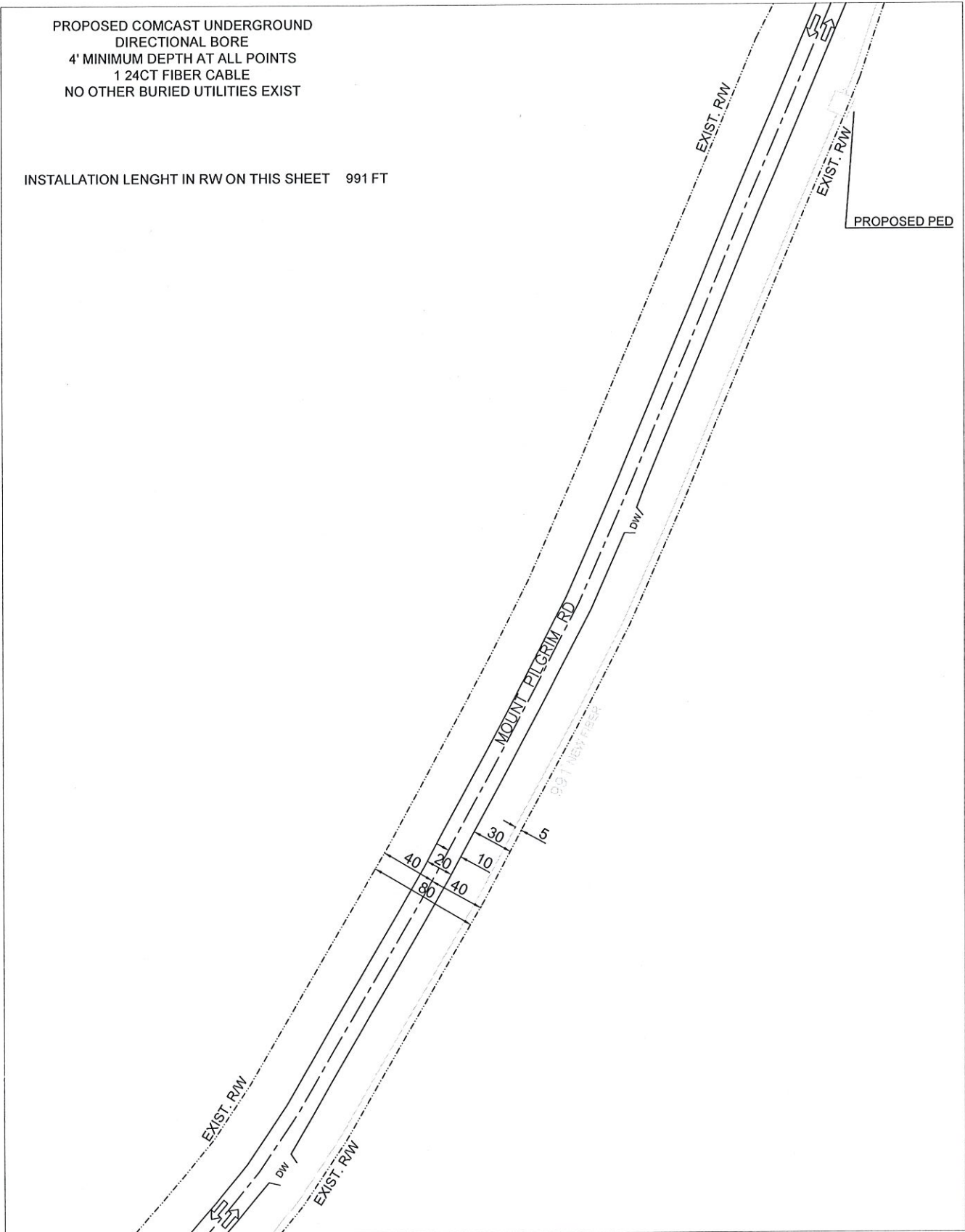
PREPARED BY: 	EXISTING POLE PROPOSED PEDESTAL PROPOSED VAULT WATER VALVE FIBER MARKER GAS MARKER MANHOLE SEWER MAIN/HOLE STORM DRAIN	RIGHT OF WAY LINE IRRIGATION LINE WATER LANE GAS LANE PROPOSED ANCHOR PROPOSED RISER	PROPOSED COAXIAL CABLE PROPOSED FIBER CABLE PROPOSED DIRECTIONAL BORE EXISTING CABLE COUNTY LINE	ENGINEERED FOR: MADISON COUNTY MT PILGRIM RD TRANSPORT FIBER 	NO SCALE SHEET 14 OF 24
	LEGEND: RW - RIGHT OF WAY EOP - EDGE OF PAVEMENT DW - DRIVEWAY PAV - PAVED DRIVEWAY	NOTES: BORE HOLE TO BE FILLED SAME DAY VAULT HOLE TO BE FILLED SAME DAY ALL HOLE TO BE TAMPED AND SODDED			

PROPOSED COMCAST UNDERGROUND
 DIRECTIONAL BORE
 4' MINIMUM DEPTH AT ALL POINTS
 1 24CT FIBER CABLE
 NO OTHER BURIED UTILITIES EXIST

INSTALLATION LENGTH IN RW ON THIS SHEET 991 FT

NO MATCH SHEET

NO MATCH SHEET



MATCH SHEET 16

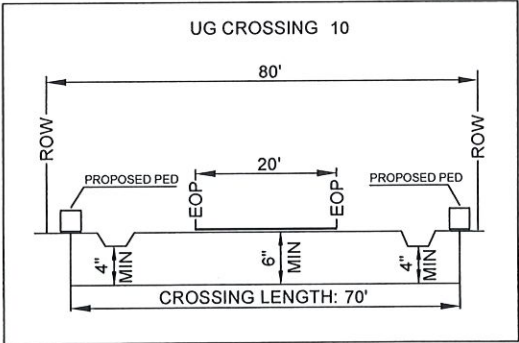
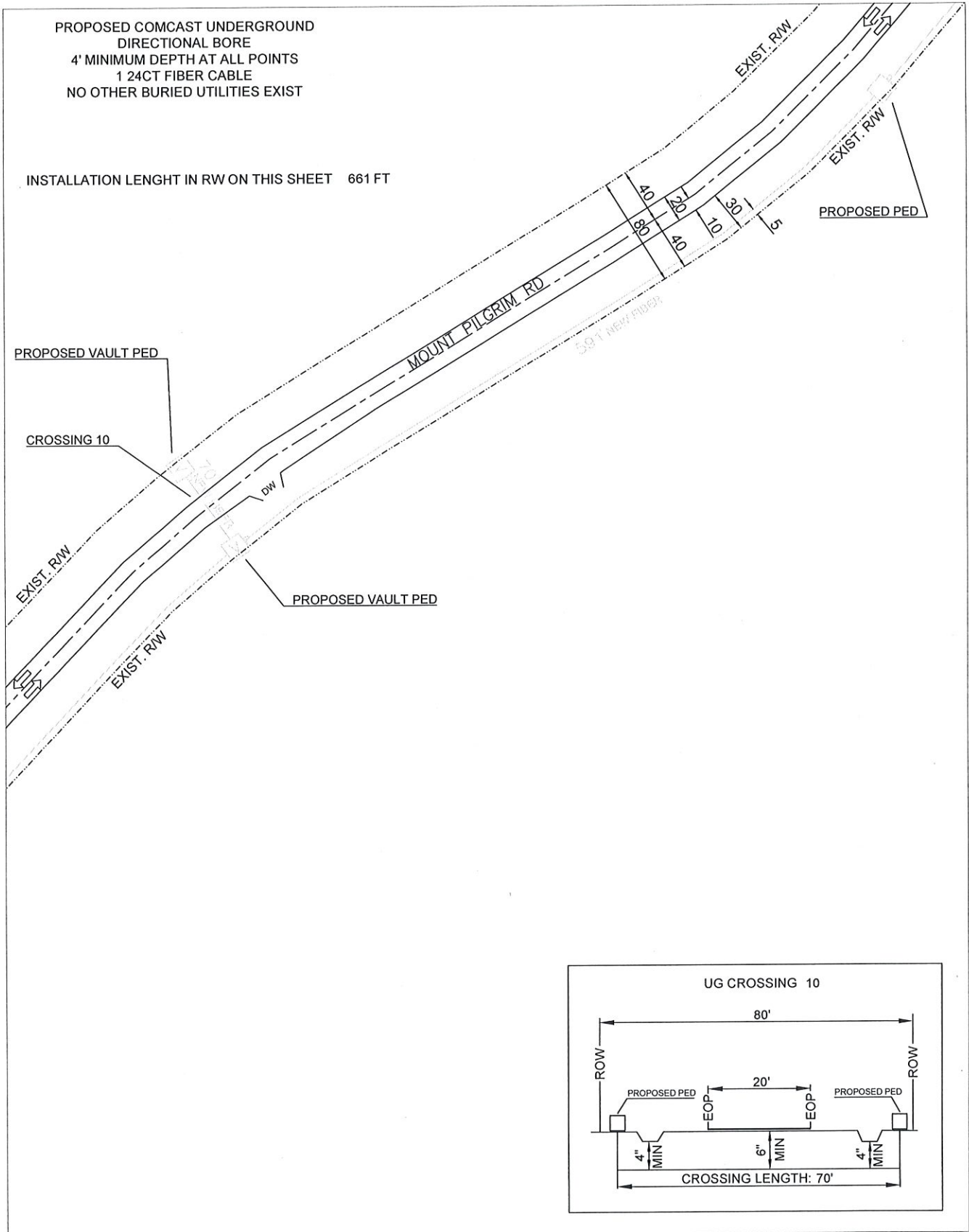
<p>PREPARED BY:</p>	<ul style="list-style-type: none"> ⊗ EXISTING POLE ⊠ PROPOSED PEDESTAL ⊡ PROPOSED VAULT ⊞ WATER VALVE ⊟ FIBER MARKER ⊠ GAS MARKER ⊡ MANHOLE ⊞ SEWER MANHOLE ⊟ STORM DRAIN 	<ul style="list-style-type: none"> — RIGHT OF WAY LINE — IRRIGATION LINE — WATER LANE — GAS LANE ⊙ PROPOSED ANCHOR ⊙ PROPOSED RISER 	<ul style="list-style-type: none"> — PROPOSED COAXIAL CABLE — PROPOSED FIBER CABLE — PROPOSED DIRECTIONAL BORE — EXISTING CABLE — COUNTY LINE 		<p>ENGINEERED FOR:</p>	<p>MADISON COUNTY MT PILGRIM RD TRANSPORT FIBER</p>
<p>QUASAR, INC.</p>	<p>LEGEND: RW - RIGHT OF WAY EOP - EDGE OF PAVEMENT DW - DRIVEWAY PDW - PAVED DRIVEWAY</p>	<p>NOTES: BORE HOLE TO BE FILLED SAME DAY VAULT HOLE TO BE FILLED SAME DAY ALL HOLE TO BE TAMPED AND SOODED</p>		<p>NO SCALE</p>	<p>SHEET 15 OF 24</p>	

PROPOSED COMCAST UNDERGROUND
DIRECTIONAL BORE
4' MINIMUM DEPTH AT ALL POINTS
1 24CT FIBER CABLE
NO OTHER BURIED UTILITIES EXIST

INSTALLATION LENGTH IN RW ON THIS SHEET 661 FT

MATCH SHEET 17

NO MATCH SHEET



NO MATCH SHEET

<p>PREPARED BY:</p>	<p>EXISTING POLE</p> <p>PROPOSED PEDESTAL</p> <p>PROPOSED VAULT</p> <p>WATER VALVE</p> <p>FIBER MARKER</p> <p>GAS MARKER</p> <p>MANHOLE</p> <p>SEWER MANHOLE</p> <p>STORM DRAIN</p>	<p>RIGHT OF WAY LINE</p> <p>IRRIGATION LINE</p> <p>WATER LANE</p> <p>GAS LANE</p> <p>PROPOSED ANCHOR</p> <p>PROPOSED RISER</p>	<p>PROPOSED COAXIAL CABLE</p> <p>PROPOSED FIBER CABLE</p> <p>PROPOSED DIRECTIONAL BORE</p> <p>EXISTING CABLE</p> <p>COUNTY LINE</p>		<p>ENGINEERED FOR:</p> <p>MADISON COUNTY</p> <p>MT PILGRIM RD</p> <p>TRANSPORT FIBER</p>		<p>NO SCALE</p> <p>SHEET 16 OF 24</p>
	<p>LEGEND:</p> <p>RW - RIGHT OF WAY</p> <p>EOP - EDGE OF PAVEMENT</p> <p>DW - DRIVEWAY</p> <p>PDW - PAVED DRIVEWAY</p>	<p>NOTES:</p> <p>BORE HOLE TO BE FILLED SAME DAY</p> <p>VAULT HOLE TO BE FILLED SAME DAY</p> <p>ALL HOLE TO BE TAMPED AND SODDED</p>					

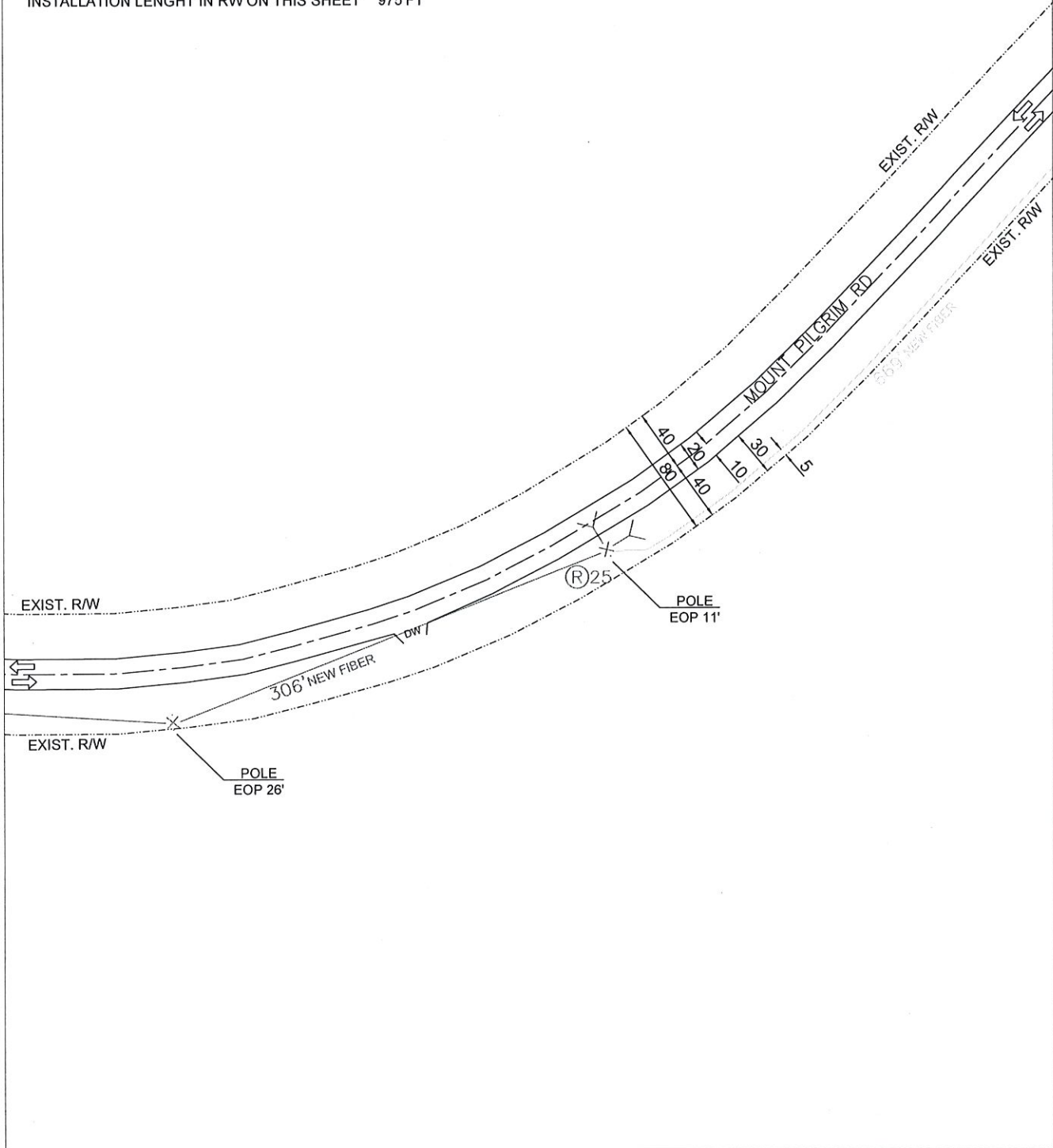
NO MATCH SHEET

PROPOSED COMCAST NEW ATTACHMENT
 18' MINIMUM HEIGHT AT ALL POINTS
 1 24CT FIBER CABLE
 PROPOSED COMCAST UNDERGROUND
 DIRECTIONAL BORE
 4' MINIMUM DEPTH AT ALL POINTS
 1 24CT FIBER CABLE
 NO OTHER BURIED UTILITIES EXIST

INSTALLATION LENGTH IN RW ON THIS SHEET 975 FT

MATCH SHEET 18

MATCH SHEET 16



NO MATCH SHEET

PREPARED BY: 	EXISTING POLE PROPOSED PEDESTAL PROPOSED VAULT WATER VALVE FIBER MARKER GAS MARKER MANHOLE SEWER MANHOLE STORM DRAIN	RIGHT OF WAY LINE IRRIGATION LINE WATER LANE GAS LANE PROPOSED ANCHOR PROPOSED RISER	PROPOSED COAXIAL CABLE PROPOSED FIBER CABLE PROPOSED DIRECTIONAL BORE EXISTING CABLE COUNTY LINE		ENGINEERED FOR: MADISON COUNTY MT PILGRIM RD TRANSPORT FIBER
	LEGEND: RW - RIGHT OF WAY EOP - EDGE OF PAVEMENT DW - DRIVEWAY PDW - PAVED DRIVEWAY	NOTES: BORE HOLE TO BE FILLED SAME DAY VAULT HOLE TO BE FILLED SAME DAY ALL HOLE TO BE TAMPED AND SOODED			NO SCALE SHEET 17 OF 24

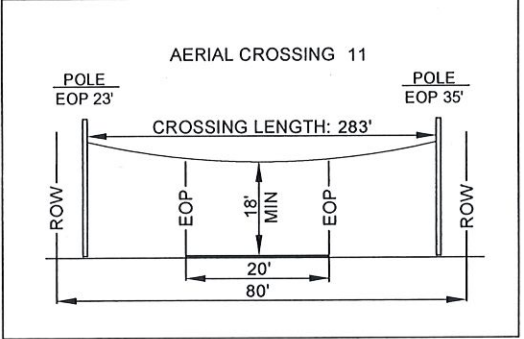
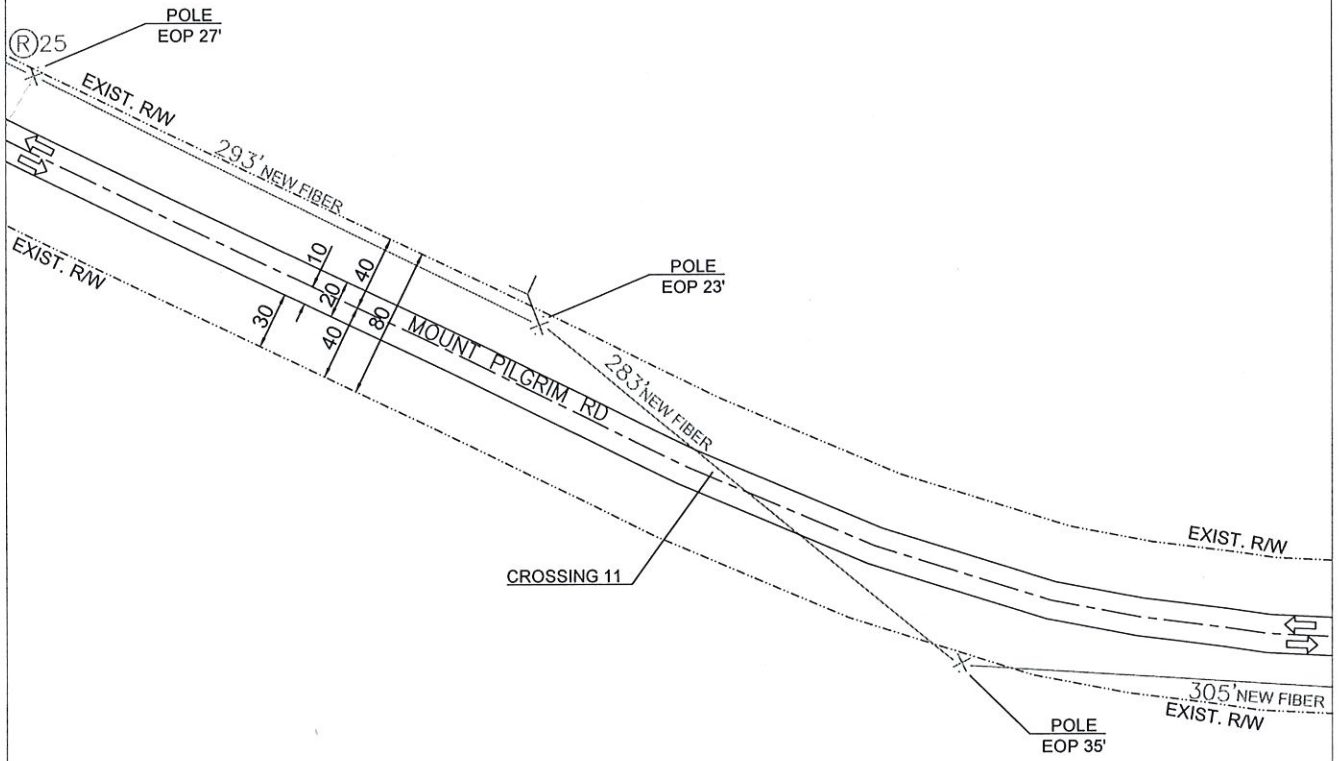
NO MATCH SHEET

PROPOSED COMCAST NEW ATTACHMENT
 18' MINIMUM HEIGHT AT ALL POINTS
 1 24CT FIBER CABLE

INSTALLATION LENGTH IN RW ON THIS SHEET 846 FT

MATCH SHEET 19

MATCH SHEET 17



NO MATCH SHEET

PREPARED BY: 	EXISTING POLE PROPOSED PEDESTAL PROPOSED VAULT WATER VALVE FIBER MARKER GAS MARKER MANHOLE SEWER MANHOLE STORM DRAIN	RIGHT OF WAY LINE IRRIGATION LINE WATER LANE GAS LANE PROPOSED ANCHOR PROPOSED RISER	PROPOSED COAXIAL CABLE PROPOSED FIBER CABLE PROPOSED DIRECTIONAL BORE EXISTING CABLE COUNTY LINE		ENGINEERED FOR: MADISON COUNTY MT PILGRIM RD TRANSPORT FIBER
	LEGEND: RW - RIGHT OF WAY EOP - EDGE OF PAVEMENT DW - DRIVEWAY POW - PAVED DRIVEWAY				NOTES: BORE HOLE TO BE FILLED SAME DAY VAULT HOLE TO BE FILLED SAME DAY ALL HOLE TO BE TAMPED AND SOGGED

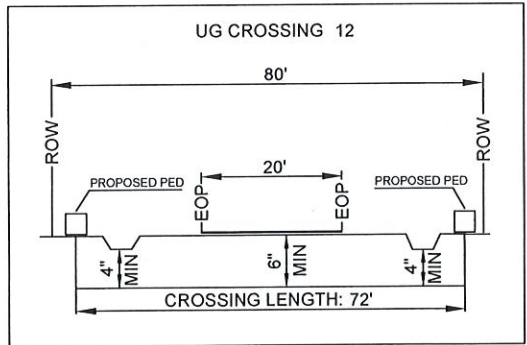
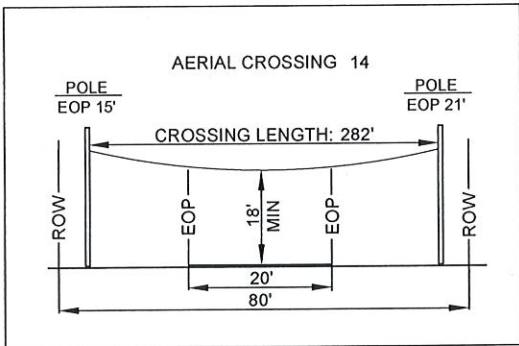
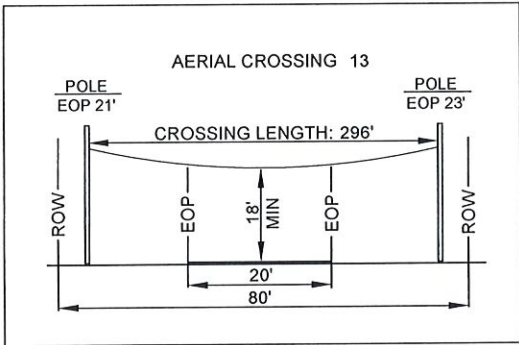
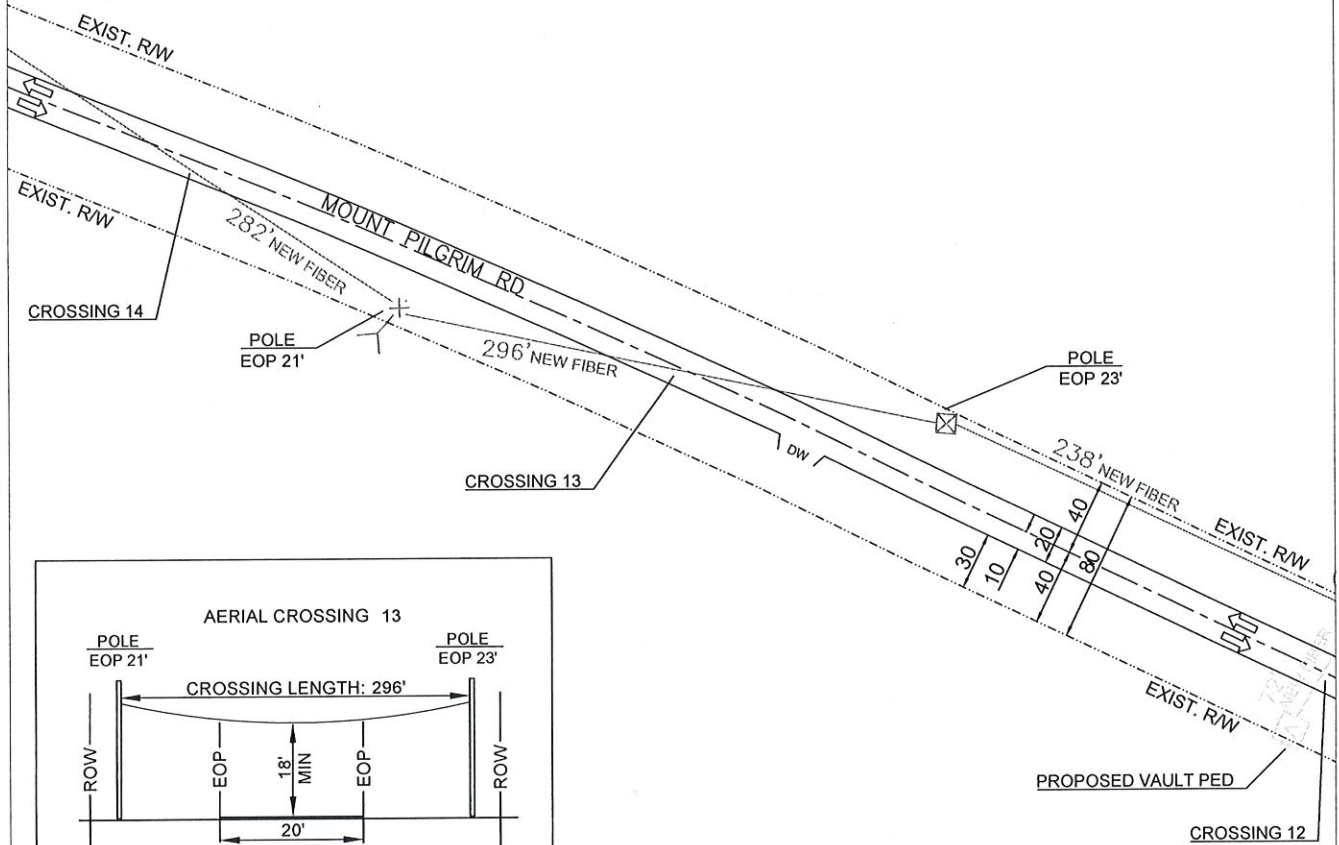
NO MATCH SHEET

PROPOSED COMCAST NEW ATTACHMENT
 18' MINIMUM HEIGHT AT ALL POINTS
 1 24CT FIBER CABLE
 PROPOSED COMCAST UNDERGROUND
 DIRECTIONAL BORE
 4' MINIMUM DEPTH AT ALL POINTS
 1 24CT FIBER CABLE
 NO OTHER BURIED UTILITIES EXIST

INSTALLATION LENGTH IN RW ON THIS SHEET 888 FT

MATCH SHEET 20

MATCH SHEET 18



NO MATCH SHEET

PREPARED BY: 	EXISTING POLE PROPOSED PEDESTAL PROPOSED VAULT WATER VALVE FIBER MARKER GAS MARKER MANHOLE SEWER MANHOLE STORM DRAIN	RIGHT OF WAY LINE IRRIGATION LINE WATER LAKE GAS LAINE PROPOSED ANCHOR PROPOSED RISER	PROPOSED COAXIAL CABLE PROPOSED FIBER CABLE PROPOSED DIRECTIONAL BORE EXISTING CABLE COUNTY LINE		ENGINEERED FOR: MADISON COUNTY MT PILGRIM RD TRANSPORT FIBER		NO SCALE	SHEET 19 OF 24
	LEGEND: RW - RIGHT OF WAY EOP - EDGE OF PAVEMENT DW - DRIVEWAY ROW - PAVED DRIVEWAY	NOTES: BORE HOLE TO BE FILLED SAME DAY VAULT HOLE TO BE FILLED SAME DAY ALL HOLE TO BE TAMPED AND SODDED						

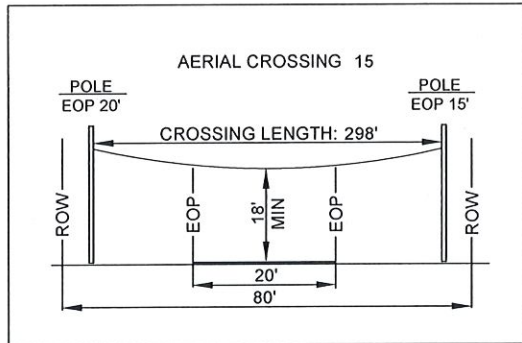
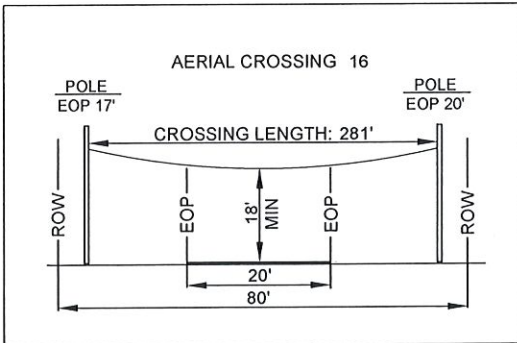
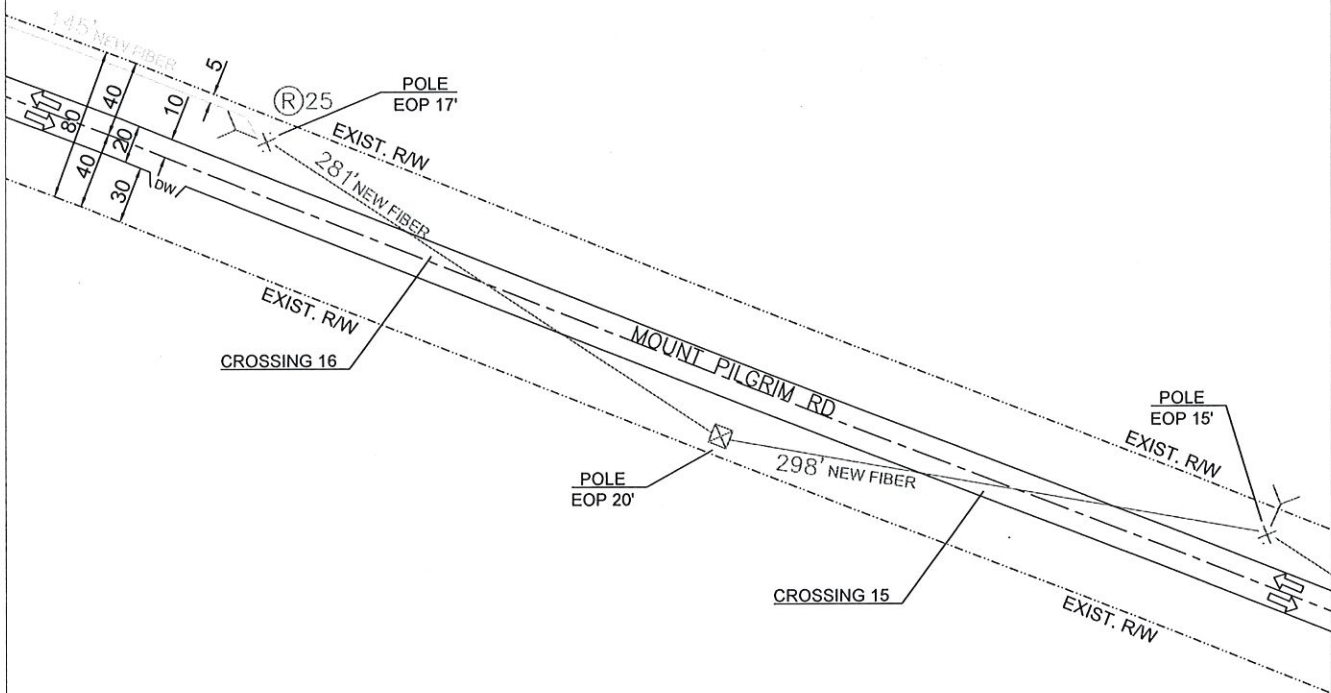
NO MATCH SHEET

PROPOSED COMCAST NEW ATTACHMENT
 18' MINIMUM HEIGHT AT ALL POINTS
 1 24CT FIBER CABLE

INSTALLATION LENGTH IN RW ON THIS SHEET 724 FT

MATCH SHEET 21

MATCH SHEET 19



NO MATCH SHEET

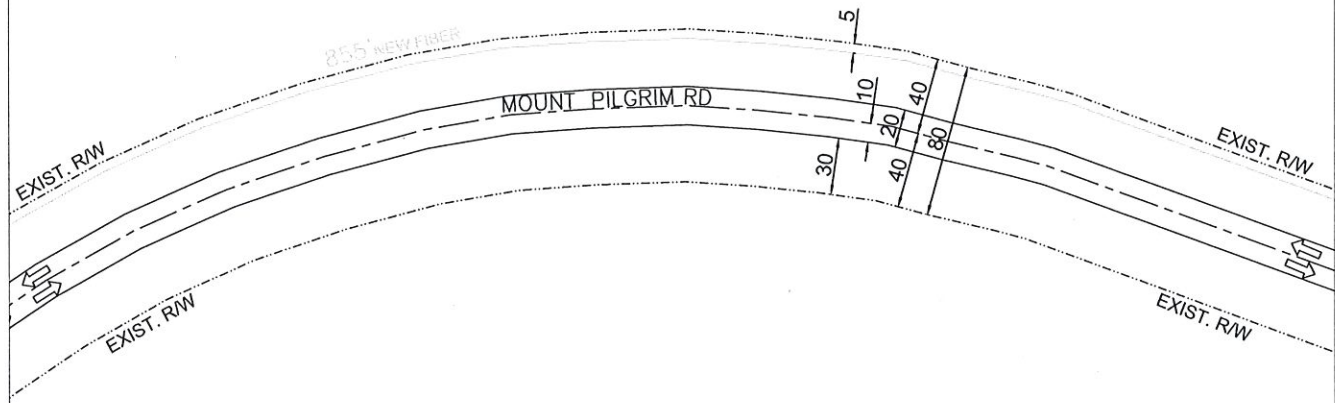
PREPARED BY: 	EXISTING POLE PROPOSED PEDESTAL PROPOSED VAULT WATER VALVE FIBER MARKER GAS MARKER MANHOLE SEWER MANHOLE STORM DRAIN	RIGHT OF WAY LINE IRRIGATION LINE WATER LAINE GAS LAINE PROPOSED ANCHOR PROPOSED RISER	PROPOSED COAXIAL CABLE PROPOSED FIBER CABLE PROPOSED DIRECTIONAL BORE EXISTING CABLE COUNTY LINE		ENGINEERED FOR: MADISON COUNTY MT PILGRIM RD TRANSPORT FIBER
	LEGEND: RW - RIGHT OF WAY EOP - EDGE OF PAVEMENT DW - DRIVEWAY POW - PAVED DRIVEWAY	NOTES: BORE HOLE TO BE FILLED SAME DAY VAULT HOLE TO BE FILLED SAME DAY ALL HOLE TO BE TAMPED AND SODDED			NO SCALE SHEET 20 OF 24

NO MATCH SHEET

PROPOSED COMCAST UNDERGROUND
 DIRECTIONAL BORE
 4' MINIMUM DEPTH AT ALL POINTS
 1 24CT FIBER CABLE
 NO OTHER BURIED UTILITIES EXIST

INSTALLATION LENGTH IN RW ON THIS SHEET 855 FT

MATCH SHEET 22



MATCH SHEET 20

NO MATCH SHEET

PREPARED BY: 	EXISTING POLE PROPOSED PEDESTAL PROPOSED VAULT WATER VALVE FIBER MARKER GAS MARKER MANHOLE SEWER MANHOLE STORM DRAIN	RIGHT OF WAY LINE IRRIGATION LINE WATER LANE GAS LANE PROPOSED ANCHOR PROPOSED RISER	PROPOSED COAXIAL CABLE PROPOSED FIBER CABLE PROPOSED DIRECTIONAL BORE EXISTING CABLE COUNTY LINE		ENGINEERED FOR: 	MADISON COUNTY MT PILGRIM RD TRANSPORT FIBER
	LEGEND: RW - RIGHT OF WAY EOP - EDGE OF PAVEMENT DW - DRIVEWAY PDW - PAVED DRIVEWAY	NOTES: BORE HOLE TO BE FILLED SAME DAY VAULT HOLE TO BE FILLED SAME DAY ALL HOLE TO BE TAMPED AND SODDED	NO SCALE SHEET 21 OF 24			

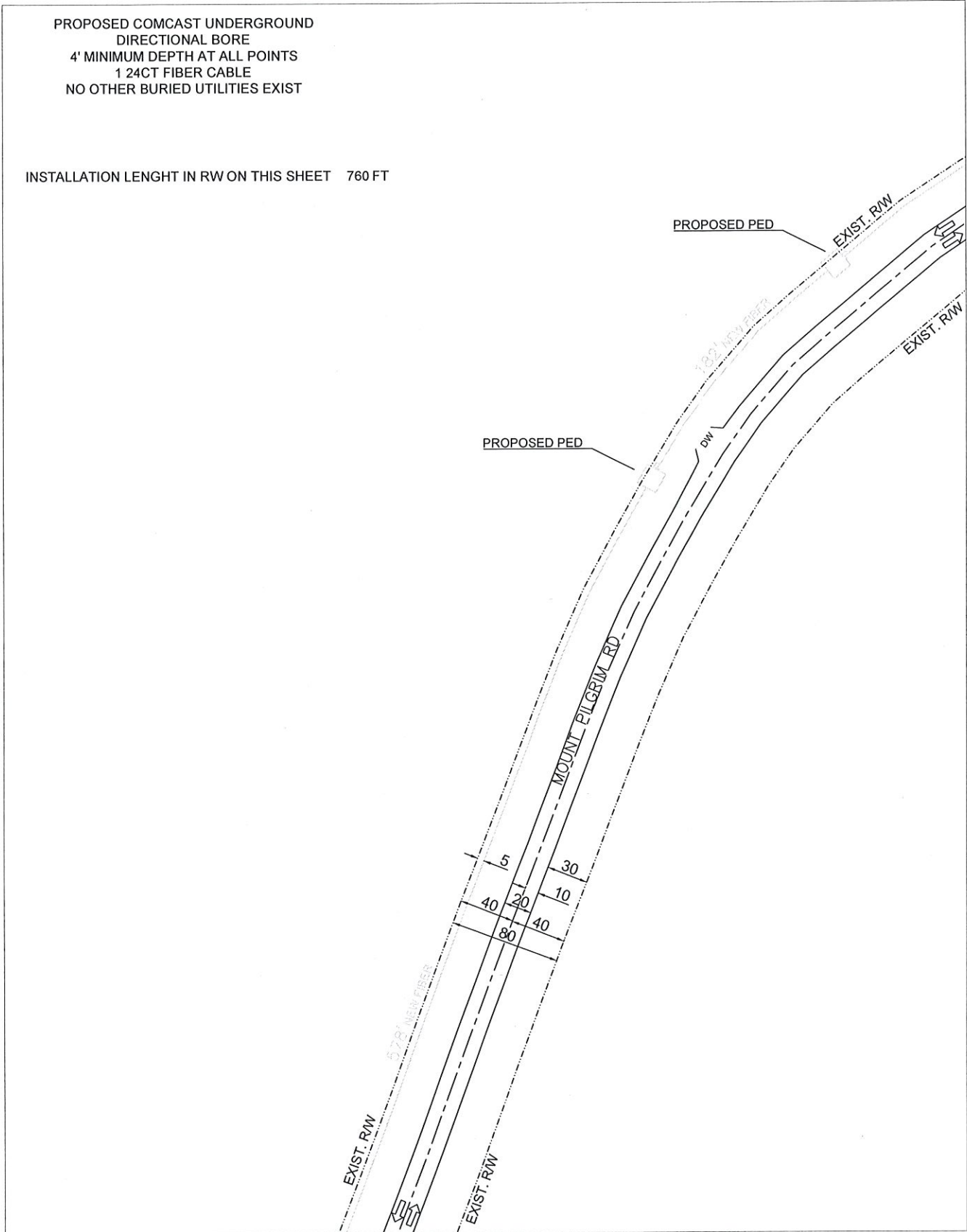
NO MATCH SHEET

PROPOSED COMCAST UNDERGROUND
DIRECTIONAL BORE
4' MINIMUM DEPTH AT ALL POINTS
1 24CT FIBER CABLE
NO OTHER BURIED UTILITIES EXIST

INSTALLATION LENGTH IN RW ON THIS SHEET 760 FT

NO MATCH SHEET

MATCH SHEET 21



MATCH SHEET 23

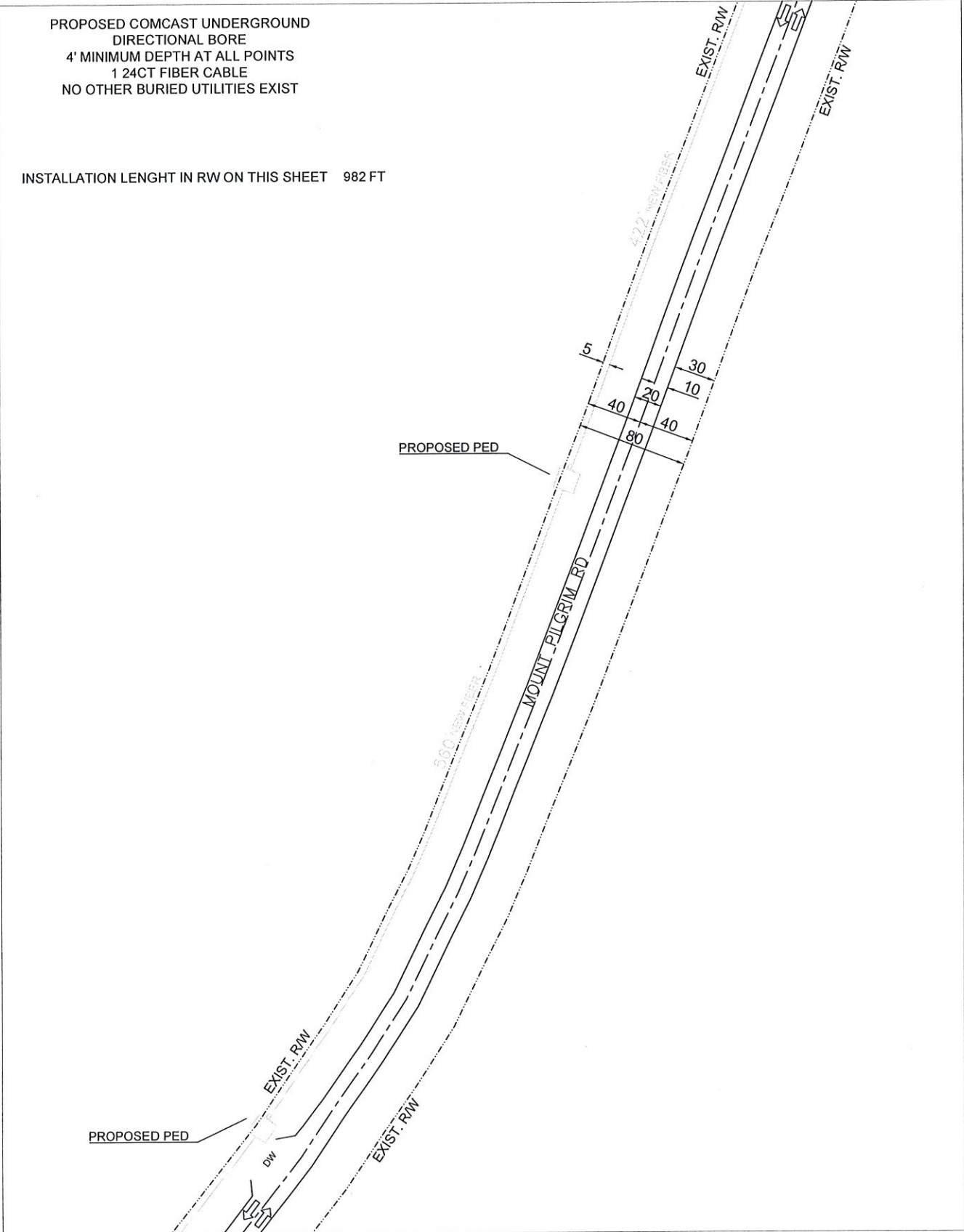
PREPARED BY: 	EXISTING POLE PROPOSED PEDESTAL PROPOSED VAULT WATER VALVE FIBER MARKER GAS MARKER MANHOLE SEWER MANHOLE STORM DRAIN	RIGHT OF WAY LINE IRRIGATION LINE WATER LANE GAS LANE PROPOSED ANCHOR PROPOSED RISER	PROPOSED COAXIAL CABLE PROPOSED FIBER CABLE PROPOSED DIRECTIONAL BORE EXISTING CABLE COUNTY LINE		ENGINEERED FOR: 	MADISON COUNTY MT PILGRIM RD TRANSPORT FIBER
	LEGEND: RW - RIGHT OF WAY EOP - EDGE OF PAVEMENT DW - DRIVEWAY PDW - PAVED DRIVEWAY	NOTES: BORE HOLE TO BE FILLED SAME DAY VAULT HOLE TO BE FILLED SAME DAY ALL HOLE TO BE TAMPED AND SODDED	NO SCALE		SHEET 22 OF 24	

PROPOSED COMCAST UNDERGROUND
 DIRECTIONAL BORE
 4' MINIMUM DEPTH AT ALL POINTS
 1 24CT FIBER CABLE
 NO OTHER BURIED UTILITIES EXIST

INSTALLATION LENGTH IN RW ON THIS SHEET 982 FT

NO MATCH SHEET

NO MATCH SHEET



MATCH SHEET 24

PREPARED BY: 	EXISTING POLE PROPOSED PEDESTAL PROPOSED VAULT WATER VALVE FIBER MARKER GAS MARKER MANHOLE SEWER MANHOLE STORM DRAIN	RIGHT OF WAY LINE IRRIGATION LINE WATER LANE GAS LANE PROPOSED ANCHOR PROPOSED RISER	PROPOSED COAXIAL CABLE PROPOSED FIBER CABLE PROPOSED DIRECTIONAL BORE EXISTING CABLE COUNTY LINE		ENGINEERED FOR: 	MADISON COUNTY MT PILGRIM RD TRANSPORT FIBER
	LEGEND: RW - RIGHT OF WAY EOP - EDGE OF PAVEMENT DW - DRIVEWAY PDW - PAVED DRIVEWAY	NOTES: BORE HOLE TO BE FILLED SAME DAY VAULT HOLE TO BE FILLED SAME DAY ALL HOLE TO BE TAMPED AND SODDED	NO SCALE SHEET 23 OF 24			

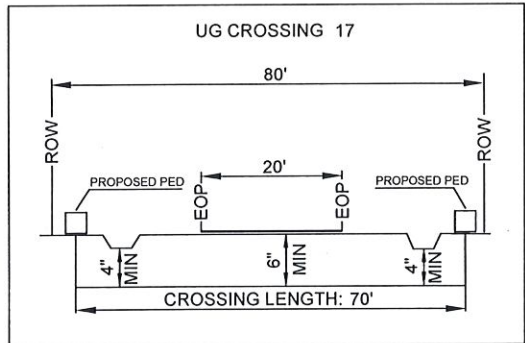
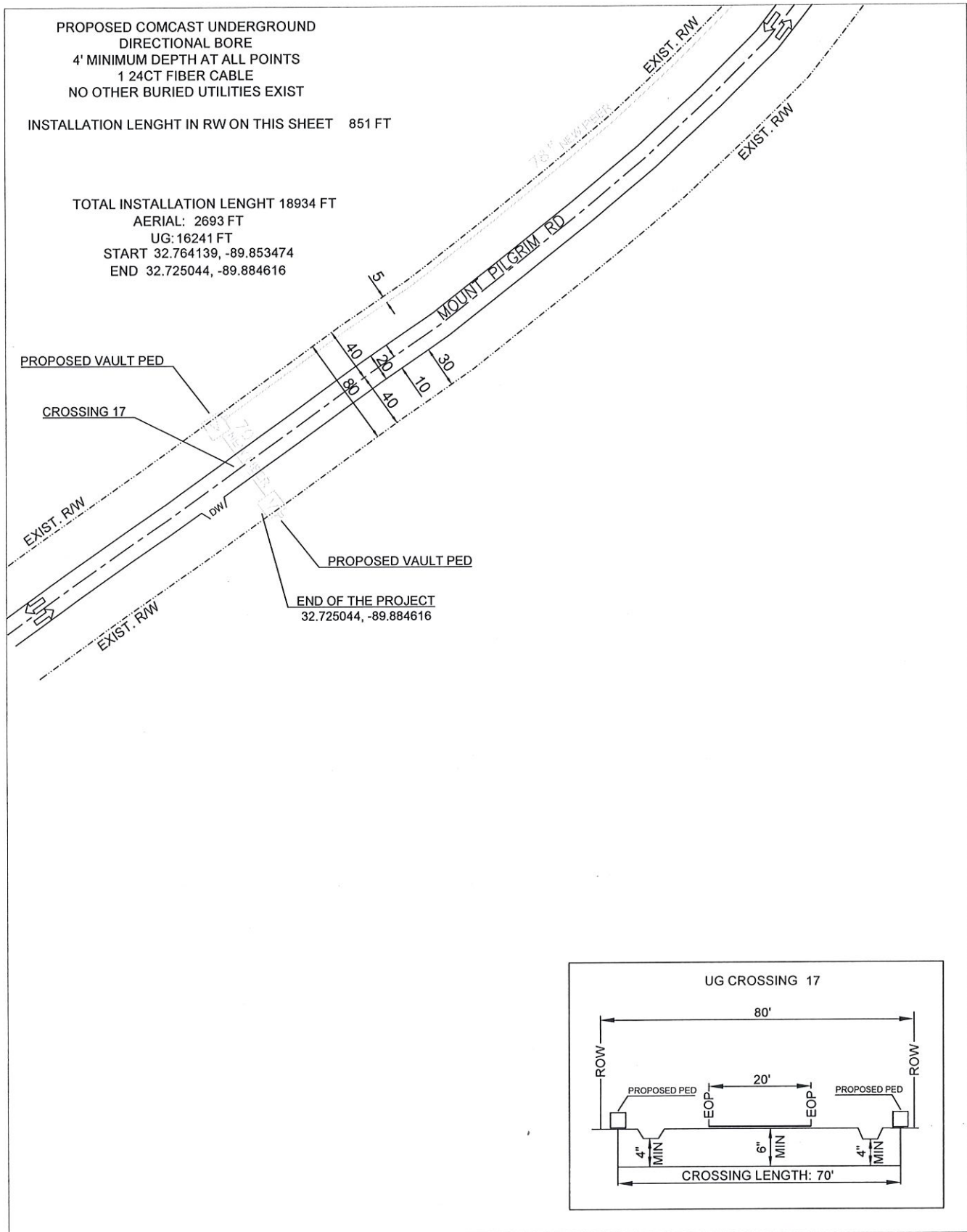
PROPOSED COMCAST UNDERGROUND
DIRECTIONAL BORE
4' MINIMUM DEPTH AT ALL POINTS
1 24CT FIBER CABLE
NO OTHER BURIED UTILITIES EXIST

INSTALLATION LENGTH IN RW ON THIS SHEET 851 FT

TOTAL INSTALLATION LENGTH 18934 FT
AERIAL: 2693 FT
UG: 16241 FT
START 32.764139, -89.853474
END 32.725044, -89.884616

NO MATCH SHEET

NO MATCH SHEET



NO MATCH SHEET

PREPARED BY: 	EXISTING POLE PROPOSED PEDESTAL PROPOSED VAULT WATER VALVE FIBER MARKER GAS MARKER MANHOLE SEWER MANHOLE STORM DRAIN	RIGHT OF WAY LINE IRRIGATION LINE WATER LANE GAS LANE PROPOSED ANCHOR PROPOSED RISER LEGEND: RW - RIGHT OF WAY EOP - EDGE OF PAVEMENT DW - DRIVEWAY POW - PAVED DRIVEWAY	PROPOSED COAXIAL CABLE PROPOSED FIBER CABLE PROPOSED DIRECTIONAL BORE EXISTING CABLE COUNTY LINE		ENGINEERED FOR: 	MADISON COUNTY MT PILGRIM RD TRANSPORT FIBER
	NOTES: BORE HOLE TO BE FILLED SAME DAY VAULT HOLE TO BE FILLED SAME DAY ALL HOLE TO BE TAMPED AND SOODED	NO SCALE SHEET 24 OF 24				